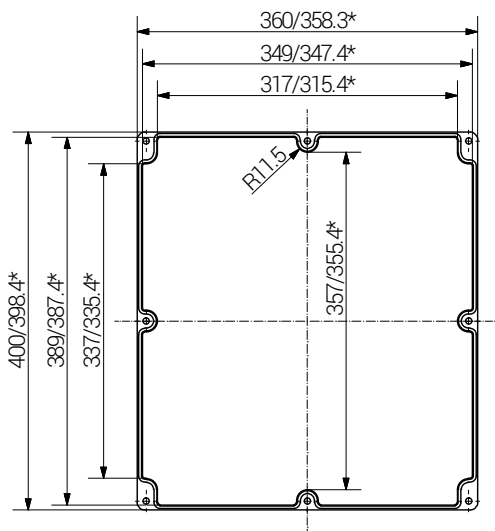


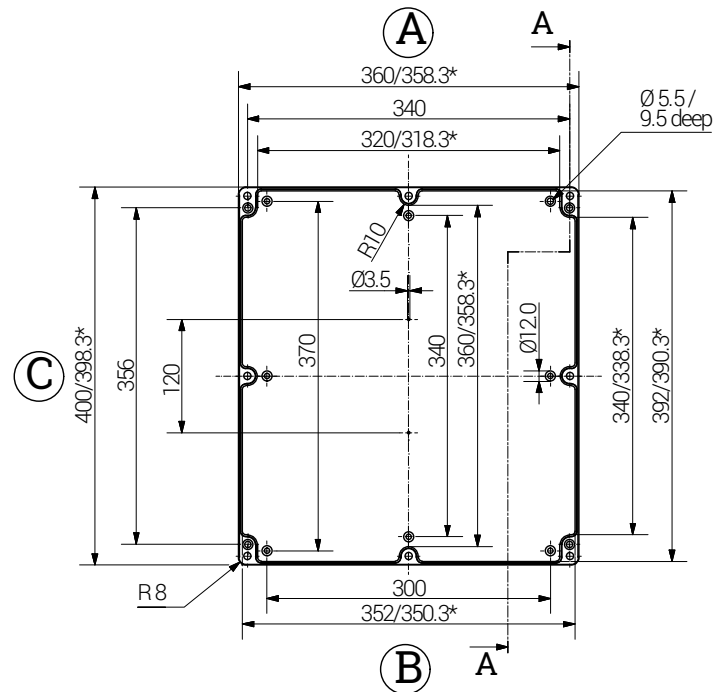
Article			Length (mm)	Width (mm)	Height (mm)	DIN Rail for Terminals		Mounting Plate Thickness in mm	External Mounting Brackets set	External Hinge Appr. 150°C PC pair
ABS	Polycarbonate	Polycarbonate with clear lid				TS 15	TS 35			
01 403615 010	-	-	400	360	150	x	x	2.0a)	-	-

a) Sheet steel, zinc-plated.

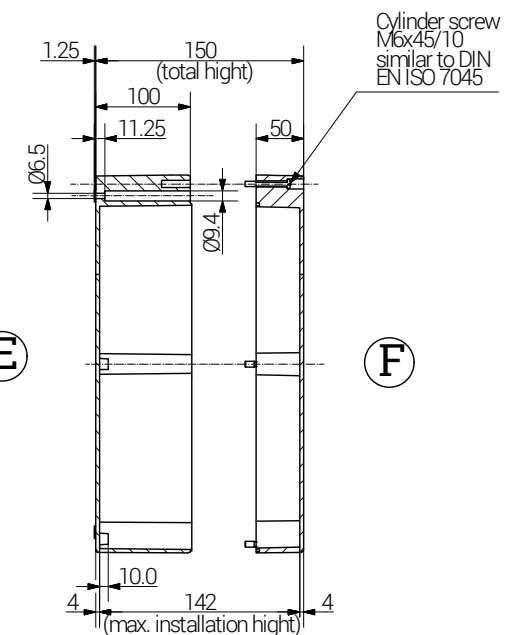
lid



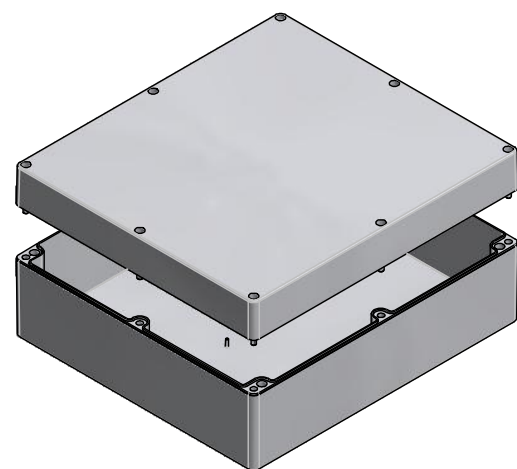
base




Section A-A



Cylinder screw  
M6x45/10  
similar to DIN  
EN ISO 7045



\*= Dimension reduced at bottom due to conical form.  
Tolerances to DIN 16901-130.

		<b>RST Rabe-System-Technik und Vertriebs-GmbH</b> Otto-Lilienthal-Strasse 19 49134 Wallenhorst ☎ +49 5407 8766-0 ☎ +49 5407 8766-99 ✉ info@rst.eu			Unless otherwise specified on the drawing: Metric Thread = EN 60423 PG Thread = DIN 40430 NPT Thread = ANSI B1.20.1 Tolerance: DIN ISO 2768-m All dimensions in mm.			Abusively use, in particular reproduction and dissemination to third parties is not permitted. You can be punished by civil law. Technical changes are reserved.			
		Draw.	29.05.2018	SL	Date	Name		<h1>Enclosure</h1> <h2>400 x 360 x 150 mm</h2>			
Appr.	29.05.2018	KH	Date		Name						
Norm			Scale:			1:8					
Material:			see table			Drawing-Nr.:					
see table			see table			1 of 1					
Status	Modification	Date	Name	Z:\Inventor\Gehäuse\Gehäuse-ABS\01403615010\ABS-Gehäuse-36-BG-0001-01_403615_010.idw			A4				
							V9				

Weight: 2460 g

Please note that the above representation is just a dimension illustration.