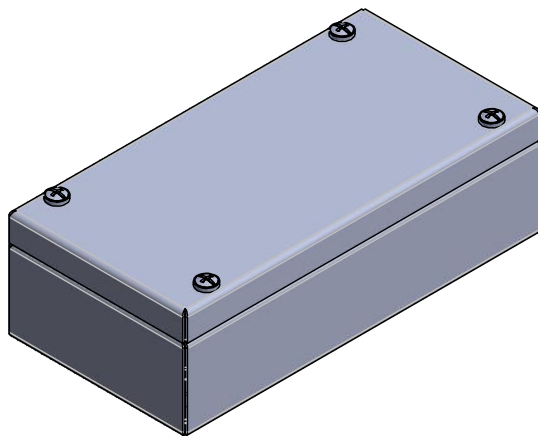
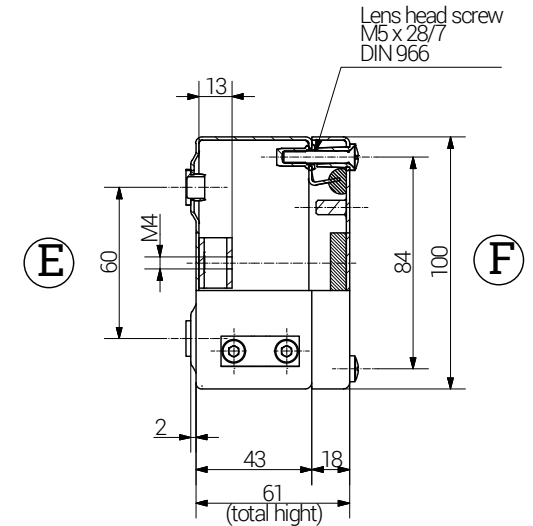
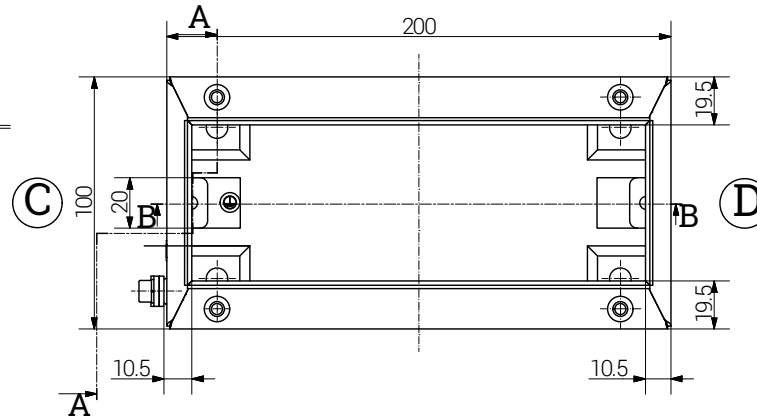
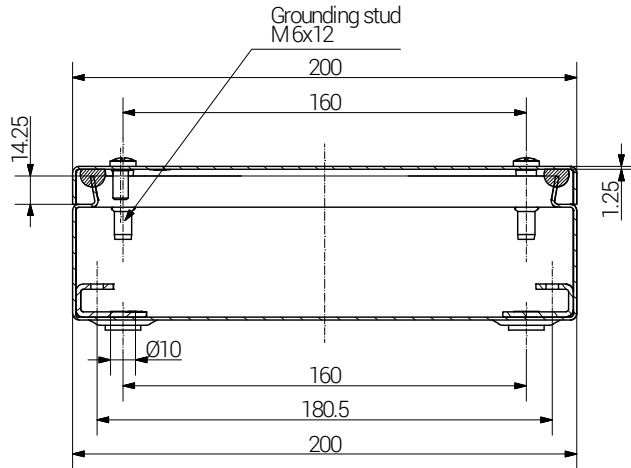


Article		Length	Width	Height	External Mounting Brackets	External Hinge
Ex e	Ex ia	(mm)	(mm)	(mm)	Aluminium set	pair
21 201006 000	22 201006 000	200	100	61	x	x

Section B-B

base

Section A-A



Ⓐ


Ⓒ

Ⓓ

Ⓔ

Ⓕ

Ⓑ

		RST Rabe-System-Technik und Vertriebs-GmbH Otto-Lilienthal-Strasse 19 49134 Wallenhorst ☎ +49 5407 8766-0 ☎ +49 5407 8766-99 ✉ info@rst.eu			Unless otherwise specified on the drawing: Metric Thread = EN 60423 PG Thread = DIN 40430 NPT Thread = ANSI B1.20.1 Tolerance: DIN ISO 2768-m All dimensions in mm.		Abusively use, in particular reproduction and dissemination to third parties is not permitted. You can be punished by civil law. Technical changes are reserved.	
		Date Draw. 12.06.2018 Appr. 12.06.2018 Norm Scale: 1:3 Material: Stainless Steel	Name SL KH	<h1>Enclosure</h1> <h2>200 x 100 x 61 mm</h2>		Drawing-Nr.: see table	1 of 1 A4 V8	
Status	Modification	Date	Name	Z:\Inventor\Gehäuse\Ex-Gehäuse-Edelstahl\21201006000\Ex-Edelstahl-Gehäuse-03-BG-0001-21201006000.idw				

Please note that the above representation is just a dimension illustration.