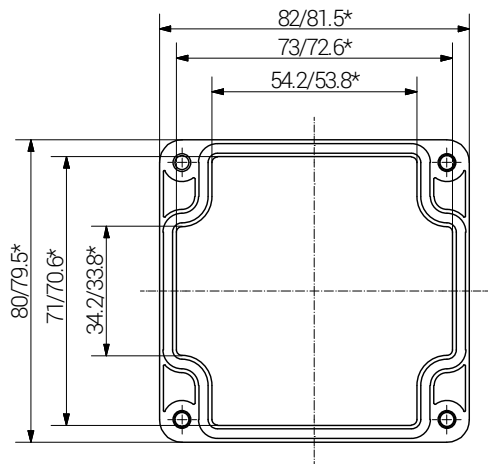
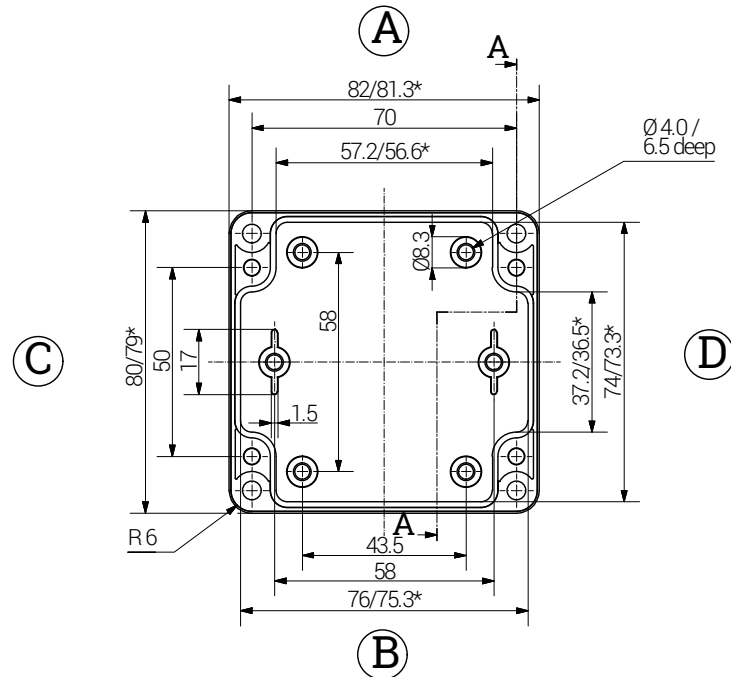


Article			Length (mm)	Width (mm)	Height (mm)	DIN Rail for Terminals		Mounting Plate Thickness in mm	External Mounting Brackets set	External Hinge Appr. 150°C PC pair
ABS	Polycarbonate	Polycarbonate with clear lid				TS 15	TS 35			
01 080806 000	02 080806 000	02 080806 045	82	80	55	x	x	1.5	x	-

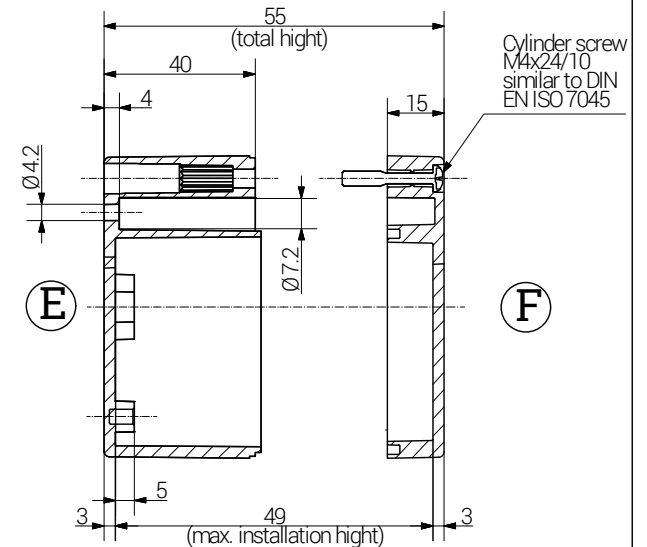
lid



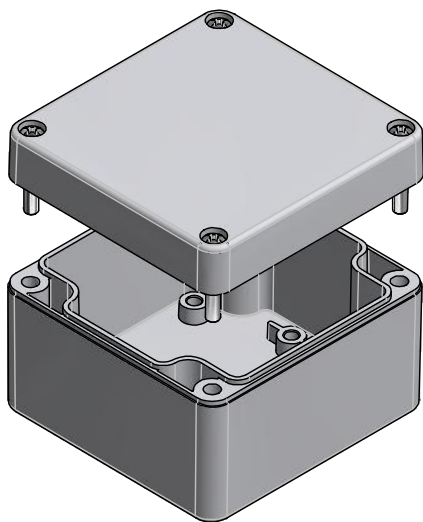
base




Section A-A



\*= Dimension reduced at bottom due to conical form.  
Tolerances to DIN 16901-130.



Weight: 140 g

		<b>RST Rabe-System-Technik und Vertriebs-GmbH</b> Otto-Lilienthal-Strasse 19 49134 Wallenhorst ☎ +49 5407 8766-0 ☎ +49 5407 8766-99 ✉ info@rst.eu			Unless otherwise specified on the drawing: Metric Thread = EN 60423 PG Thread = DIN 40430 NPT Thread = ANSI B1.20.1 Tolerance: DIN ISO 2768-m All dimensions in mm.		Abusively use, in particular reproduction and dissemination to third parties is not permitted. You can be punished by civil law. Technical changes are reserved.																					
		<table border="1"> <thead> <tr> <th></th> <th>Date</th> <th>Name</th> </tr> </thead> <tbody> <tr> <td>Draw.</td> <td>28.05.2018</td> <td>SL</td> </tr> <tr> <td>Appr.</td> <td>28.05.2018</td> <td>KH</td> </tr> <tr> <td>Norm</td> <td></td> <td></td> </tr> <tr> <td>Scale:</td> <td></td> <td>1:2</td> </tr> <tr> <td>Material:</td> <td colspan="2">see table</td> </tr> </tbody> </table>		Date	Name	Draw.	28.05.2018	SL	Appr.	28.05.2018	KH	Norm			Scale:		1:2	Material:	see table		Drawing-Nr.: see table		<table border="1"> <tr> <td>1</td> <td>of 1</td> </tr> <tr> <td colspan="2">A4</td> </tr> <tr> <td colspan="2">V8</td> </tr> </table>		1	of 1	A4	
	Date	Name																										
Draw.	28.05.2018	SL																										
Appr.	28.05.2018	KH																										
Norm																												
Scale:		1:2																										
Material:	see table																											
1	of 1																											
A4																												
V8																												
Status	Modification	Date	Name	Z:\Inventor\Gehäuse\Gehäuse-ABS\01080806000\ABS-Gehäuse-04-BG-0001-01_080806_000.idw																								

Please note that the above representation is just a dimension illustration.