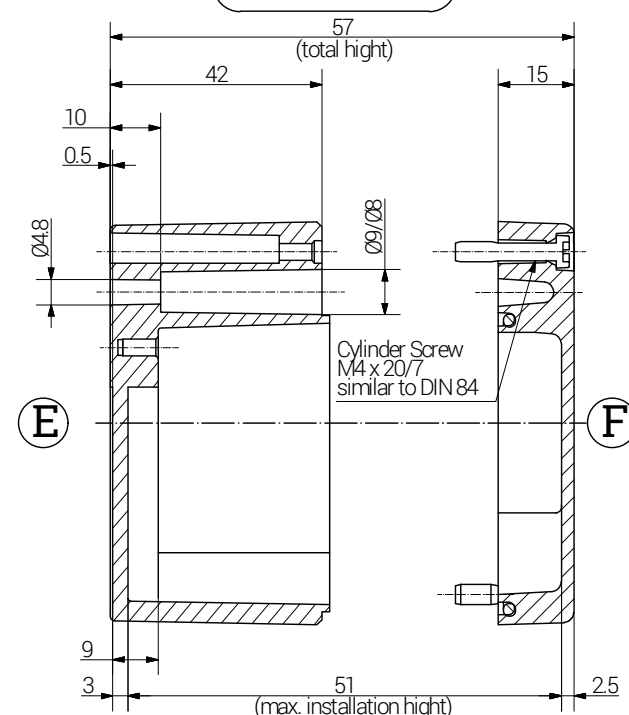
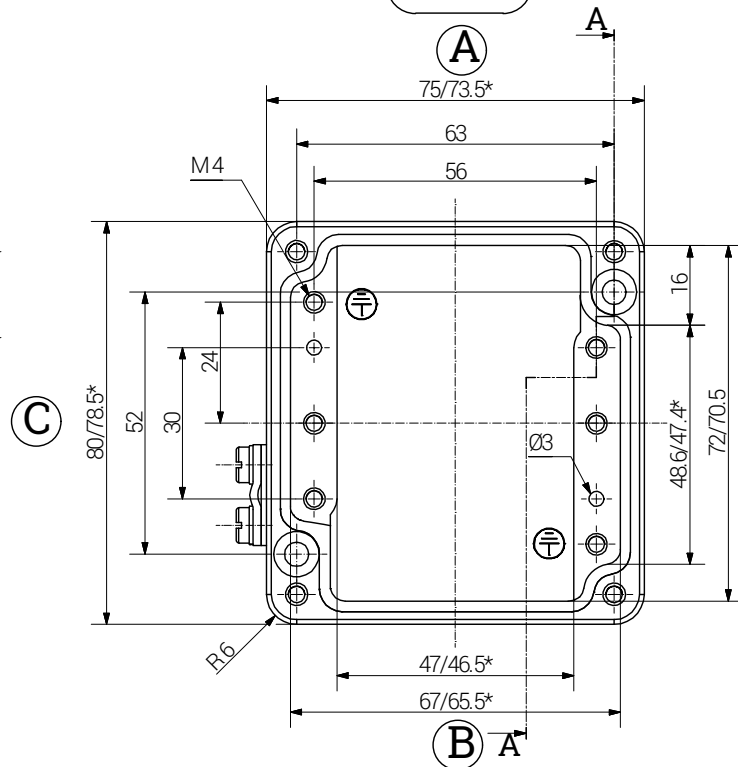
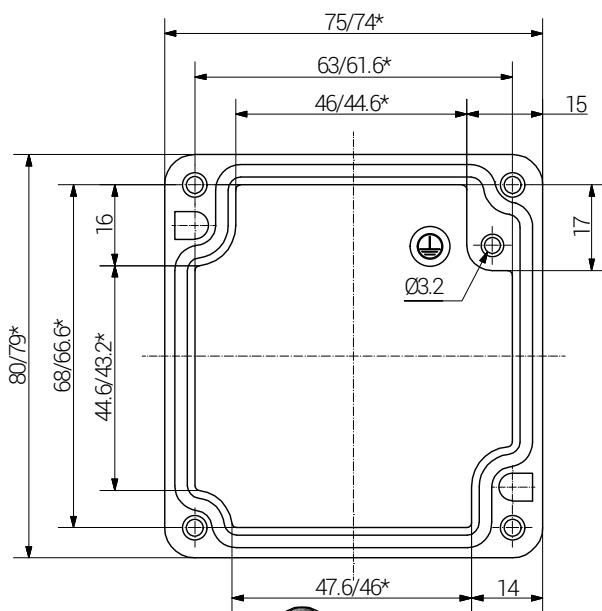


Article		Length (mm)	Width (mm)	Height (mm)	DIN Rail for terminals		PE busbar	PE angele brackets	Mounting Plate galv. Sheet steel Thickness in mm	External Mounting Brackets Aluminium set	External Hinge pair	Internal Hinges pair
Ex e	Ex ia				TS 15	TS 35						
15 080806 000	16 080806 000	75	80	57	X	-	-	2	1.5	-	-	-

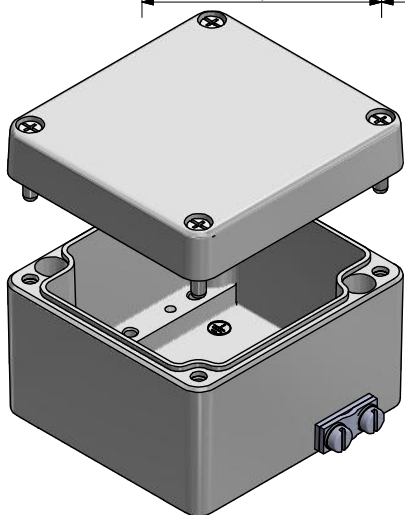
lid


base

Section A-A



*= Dimension reduced at bottom due to conical form
Tolerances to GTA 13/5 - DIN 1688.



		RST Rabe-System-Technik und Vertriebs-GmbH Otto-Lilienthal-Strasse 19 49134 Wallenhorst ☎ +49 5407 8766-0 ☎ +49 5407 8766-99 ✉ info@rst.eu			Unless otherwise specified on the drawing: Metric Thread = EN 60423 PG Thread = DIN 40430 NPT Thread = ANSI B1.20.1 Tolerance: DIN ISO 2768-m All dimensions in mm.			Abusively use, in particular reproduction and dissemination to third parties is not permitted. You can be punished by civil law. Technical changes are reserved.		
		Date		Name		<h1>Enclosure</h1> <h2>75 x 80 x 57 mm</h2>				
Draw.		12.06.2018		SL						
Appr.		12.06.2018		KH						
Norm										
Scale:				1:1,5						
Material:		Aluminium			Drawing-Nr.:		see table			
Status	Modification	Date	Name	Z:\Inventor\Gehäuse\Ex-Gehäuse\Aluminium\15080806000\Alu-Ex-Gehäuse-04-BG-0001-15_080806_000.idw				1 of 1		
								A4		
								V4		

Please note that the above representation is just a dimension illustration.