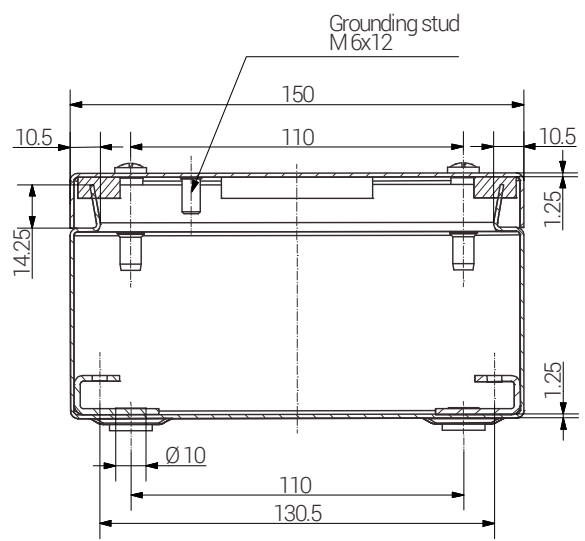
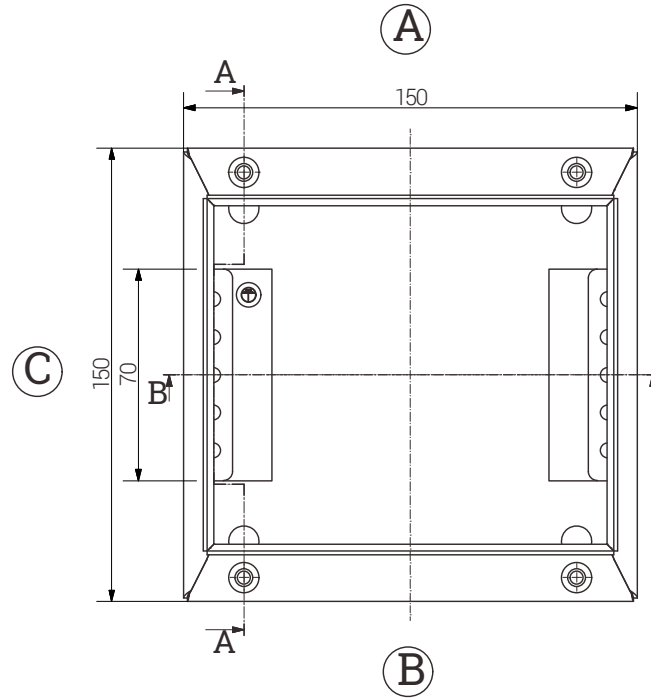


Article	Length	Width	Height	External Mounting Brackets	External Hinge
	(mm)	(mm)	(mm)	Aluminium set	pair
20 151508 000	150	150	81	x	x

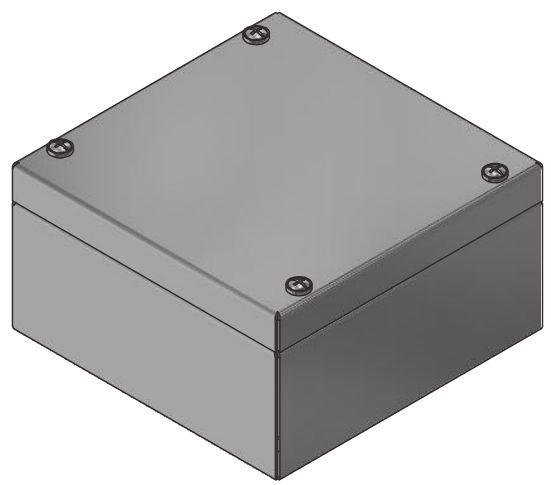
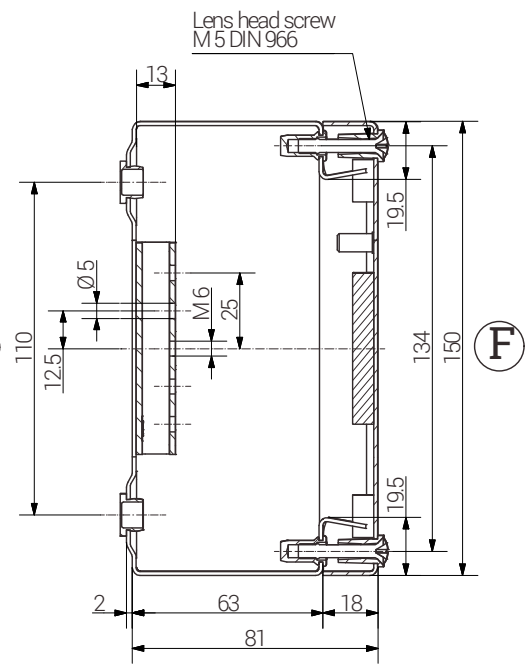
Section B-B




base



Section A-A



 <p><b>RST</b> connected by competence</p>	<p><b>RST Rabe-System-Technik und Vertriebs-GmbH</b>          Otto-Lilienthal-Strasse 19          49134 Wallenhorst          ☎ +49 5407 8766-0          ☎ +49 5407 8766-99          ✉ info@rst.eu</p>			<p>Unless otherwise specified on the drawing:          Metric Thread = EN 60423          PG Thread = DIN 40430          NPT Thread = ANSI B1.20.1          Tolerance: DIN ISO 2768-m          All dimensions in mm.</p>			<p>Abusively use, in particular reproduction and dissemination to third parties is not permitted. You can be punished by civil law. Technical changes are reserved.</p>		
				Date	Name	<h1>Enclosure</h1> <h2>150 x 150 x 81 mm</h2>			
			Draw.	30.05.2018	SL				
			Appr.	30.05.2018	KH				
			Norm						
			Scale:		1:2,5				
			Material:	Stainless Steel		Drawing-Nr.:	20 151508 000		
Status	Modification	Date	Name	Z:\Inventor\Gehäuse\Gehäuse-Edelstahl\20151508000\Edelstahl-Gehäuse-04-BG-0001-20151508000.rdw			1	of 1	
							A4	V14	

Please note that the above representation is just a dimension illustration.