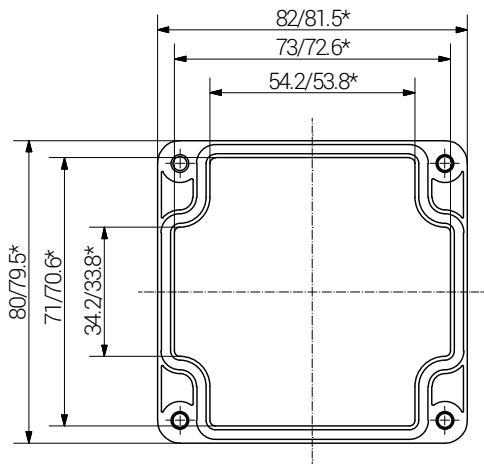
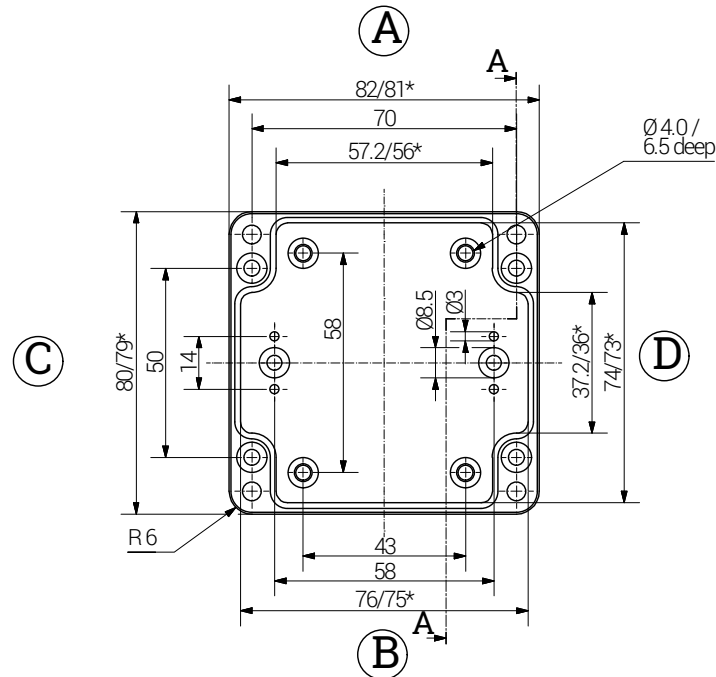


Article			Length (mm)	Width (mm)	Height (mm)	DIN Rail for Terminals		Mounting Plate Thickness in mm	External Mounting Brackets set	External Hinge Appr. 150°C PC pair
ABS	Polycarbonate	Polycarbonate with clear lid				TS 15	TS 35			
01 080809 000	02 080809 000	02 080809 045	82	80	85	x	x	1.5	x	-

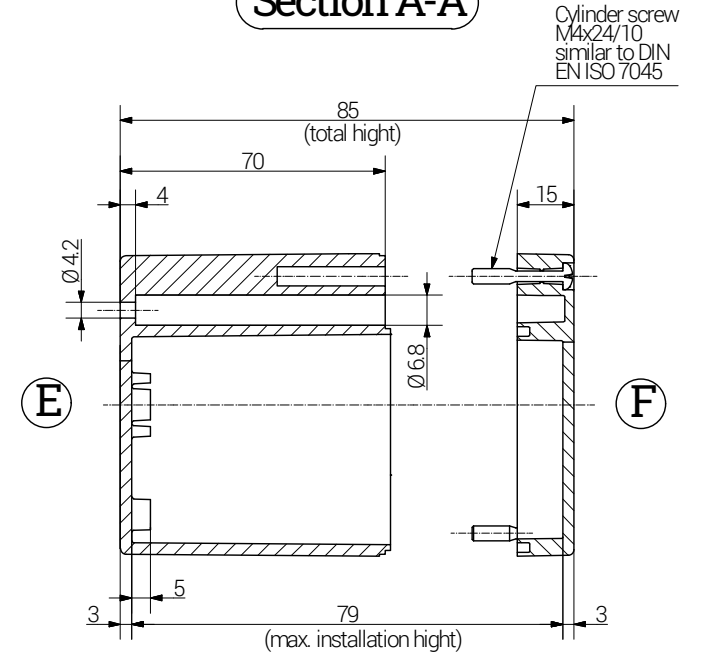
lid



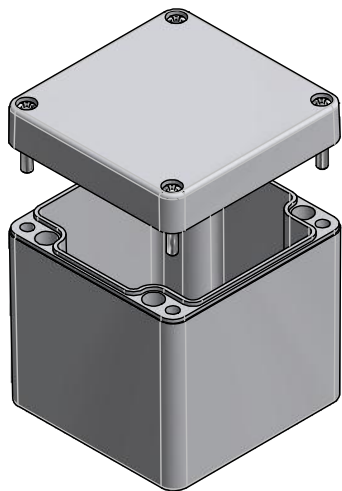
base



Section A-A



Cylinder screw
M4x24/10
similar to DIN
EN ISO 7045



*= Dimension reduced at bottom due to conical form.
Tolerances to DIN 16901-130.



RST Rabe-System-Technik und Vertriebs-GmbH
Otto-Lilienthal-Strasse 19
49134 Wallenhorst
☎ +49 5407 8766-0
☎ +49 5407 8766-99
✉ info@rst.eu

Unless otherwise specified on the drawing:
Metric Thread = EN 60423
PG Thread = DIN 40430
NPT Thread = ANSI B1.20.1
Tolerance: DIN ISO 2768-m
All dimensions in mm.

Abusively use, in particular reproduction
and dissemination to third parties is not
permitted. You can be punished by civil
law. Technical changes are reserved.

		Date		Name		<h1 style="text-align: center;">Enclosure</h1> <h2 style="text-align: center;">82 x 80 x 85 mm</h2>		Drawing-Nr.: see table		1 of 1 A4 V7							
		Draw.	28.05.2018		SL												
		Appr.	28.05.2018		KH												
		Norm															
		Scale:			1:2												
						Material: see table											
Status	Modification	Date	Name	Z:\Inventor\Gehäuse\Gehäuse-ABS\01080809000\ABS-Gehäuse-05-BG-0001-01_080809_000.idw													

Weight: 175 g

Please note that the above representation is just a dimension illustration.