

| Article | | Length (mm) | Width (mm) | Height (mm) | DIN Rail for Terminals | | PE Busbar | PE Angele Brackets | Mounting Plate Thickness in mm | External Mounting Brackets in Aluminium set | External Hinge pair | Off-Shore Plate |
|---------------|---------------|----------------|---------------|----------------|------------------------------|-------|--------------|--------------------------|---|---|---------------------------|--------------------|
| Ex e | Ex ia | | | | TS 15 | TS 35 | | | | | | |
| 17 160806 000 | 18 160806 000 | 160 | 75 | 55 | X | - | - | X | 2.0 ^{b)} | X | - | X |

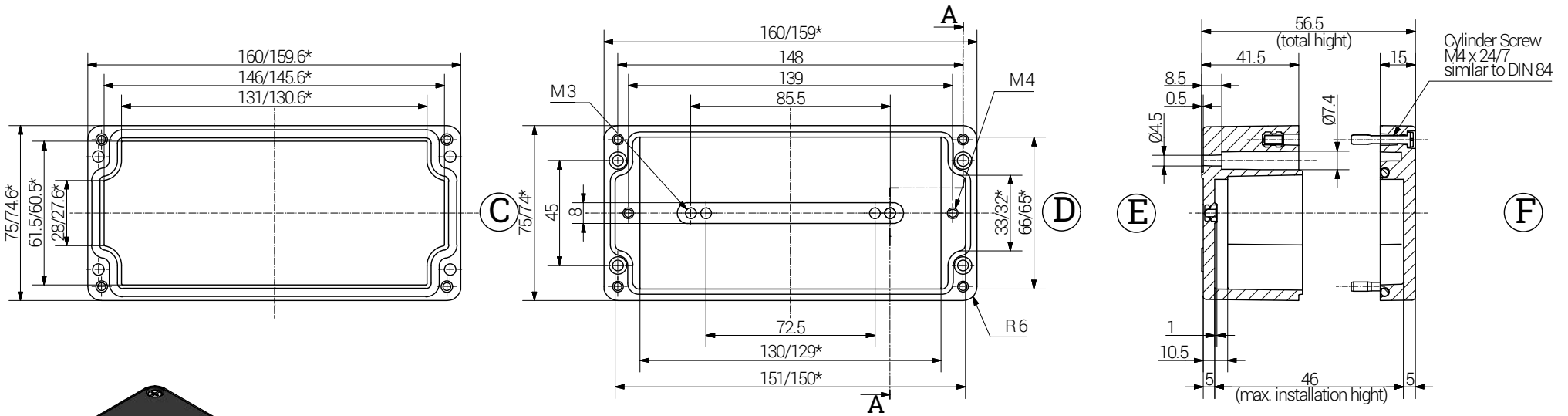
a) Sheet steel, zinc-plated
b) Pertinax (Hartpapier)

lid

base

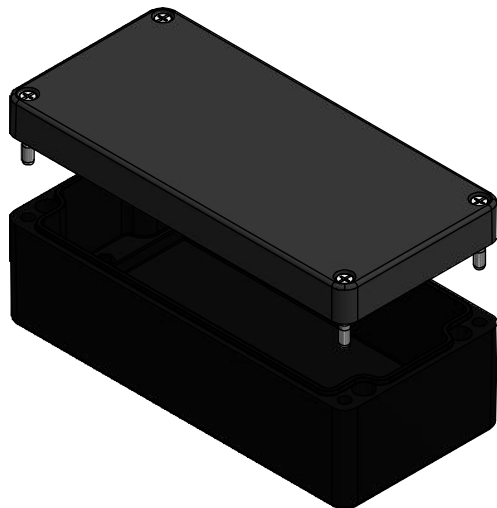
Section A-A


A



B

*= Dimension reduced at bottom due to conical form
Tolerances to DIN 16901-130.



| | | | | | | | | | | |
|---|--------------|--|------|--|--|---|--|--|--|--|
|  | | RST Rabe-System-Technik und Vertriebs-GmbH Otto-Lilienthal-Strasse 19 49134 Wallenhorst ☎ +49 5407 8766-0 📠 +49 5407 8766-99 ✉ info@rst.eu | | | Unless otherwise specified on the drawing: Metric Thread = EN 60423 PG Thread = DIN 40430 NPT Thread = ANSI B1.20.1 Tolerance: DIN ISO 2768-m All dimensions in mm. | | | Abusively use, in particular reproduction and dissemination to third parties is not permitted. You can be punished by civil law. Technical changes are reserved. | | |
| | | Date | | Name | | <h1>Ex-Enclosure</h1> <h2>160 x 75 x 55 mm</h2> | | | | |
| Draw. | | 08.06.2018 | | SL | | | | | | |
| Appr. | | 08.06.2018 | | KH | | | | | | |
| Norm | | | | | | | | | | |
| Scale: | | | | 1:2,5 | | | | | | |
| Material: | | Polyester | | Drawing-Nr.: | | see table | | 1 of 1 | | |
| Status | Modification | Date | Name | Z:\Inventor\Gehäuse\Ex-Gehäuse-Polyester\17160806000\Ex-Polyester-Gehäuse-05-BG-0001-17_160806_000.idw | | | | A4 | | |
| | | | | | | | | V7 | | |

Please note that the above representation is just a dimension illustration.