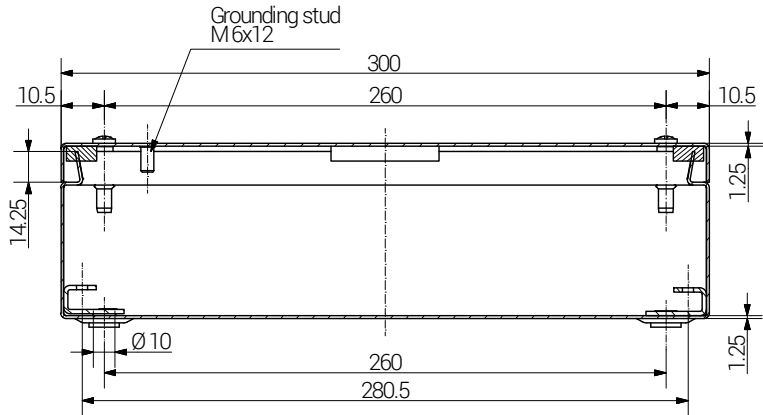
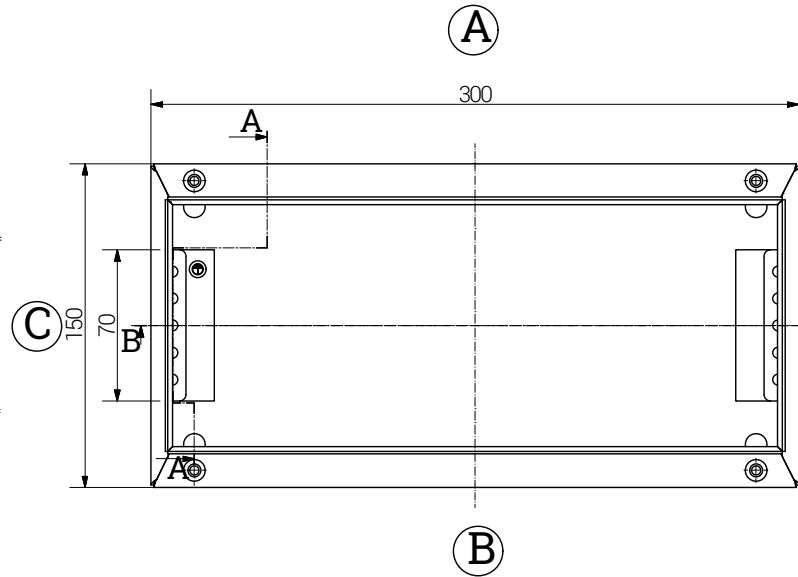


Article	Length	Width	Height	External Mounting Brackets	External Hinge
	(mm)	(mm)	(mm)	Aluminium set	pair
20 301508 000	300	150	81	x	x

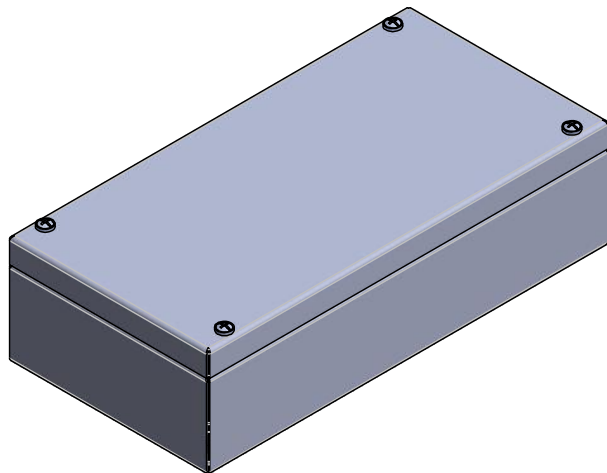
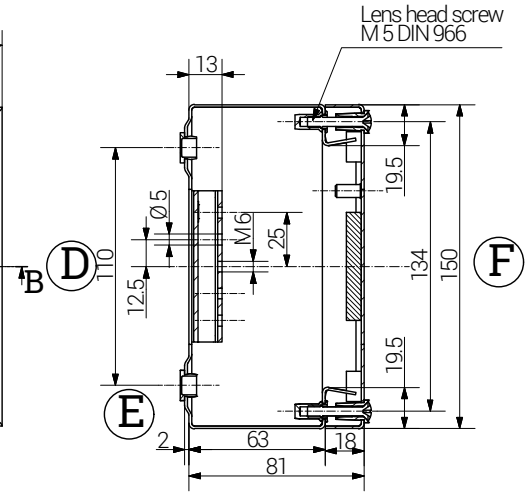
Section B-B




base



Section A-A



		RST Rabe-System-Technik und Vertriebs-GmbH Otto-Lilienthal-Strasse 19 49134 Wallenhorst ☎ +49 5407 8766-0 📠 +49 5407 8766-99 ✉ info@rst.eu		Unless otherwise specified on the drawing: Metric Thread = EN 60423 PG Thread = DIN 40430 NPT Thread = ANSI B1.20.1 Tolerance: DIN ISO 2768-m All dimensions in mm.		Abusively use, in particular reproduction and dissemination to third parties is not permitted. You can be punished by civil law. Technical changes are reserved.	
		Appr.	30.05.2018	KH	<h1>Enclosure</h1> <h2>300 x 150 x 81 mm</h2>		
		Norm					
		Scale:		1:3,5			
		Material:	Stainless Steel				
Status	Modification	Date	Name	Z:\Inventor\Gehäuse\Gehäuse-Edelstahl\20301508000\Edelstahl-Gehäuse-05-BG-0001-20301508000.idw	Drawing-Nr.:	20 301 508 000	1 of 1
							A4
							V70

Please note that the above representation is just a dimension illustration.