

Article		Length (mm)	Width (mm)	Height (mm)	DIN Rail for Terminals		PE Busbar	PE Angele Brackets	Mounting Plate Thickness in mm	External Mounting Brackets in Aluminium set	External Hinge pair	Off-Shore Plate
Ex e	Ex ia				TS 15	TS 35						
17 160808 000	18 160808 000	160	75	75	X	-	-	X	a) b) 2.0 ^{b)}	X	-	X

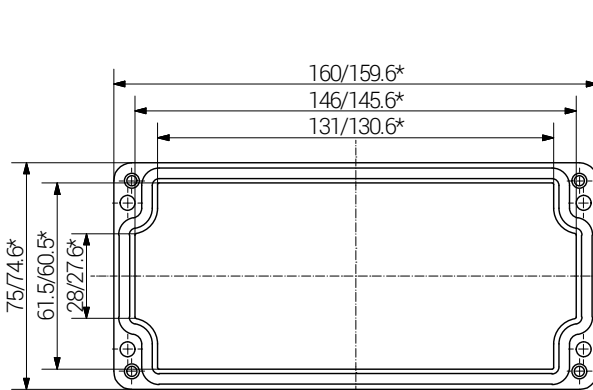
a) Sheet steel, zinc-plated
b) Pertinax (Hartpapier)

lid

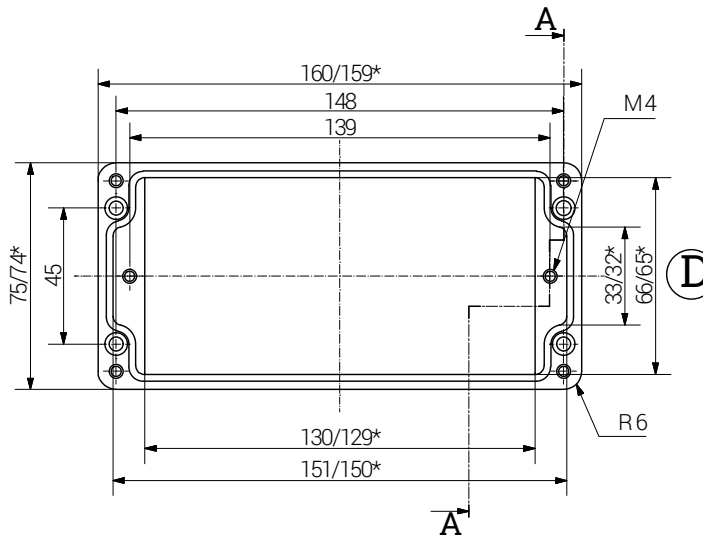
base

Section A-A

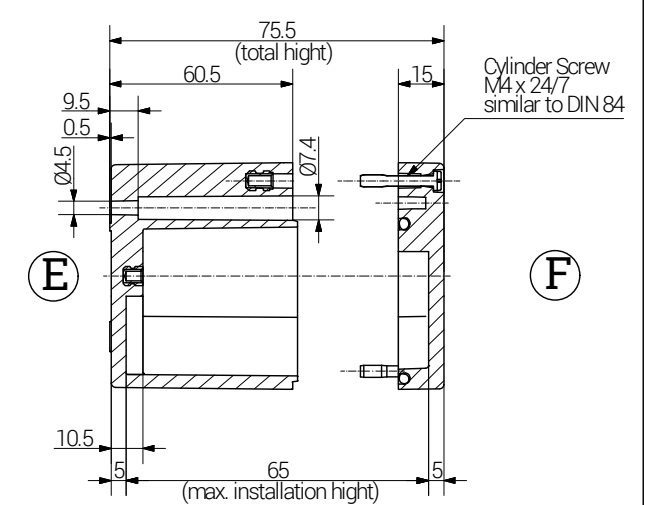
A



C



D




E

F



B

*= Dimension reduced at bottom due to conical form
Tolerances to DIN 16901-130.

		RST Rabe-System-Technik und Vertriebs-GmbH Otto-Lilienthal-Strasse 19 49134 Wallenhorst ☎ +49 5407 8766-0 📠 +49 5407 8766-99 ✉ info@rst.eu			Unless otherwise specified on the drawing: Metric Thread = EN 60423 PG Thread = DIN 40430 NPT Thread = ANSI B1.20.1 Tolerance: DIN ISO 2768-m All dimensions in mm.		Abusively use, in particular reproduction and dissemination to third parties is not permitted. You can be punished by civil law. Technical changes are reserved.		
			Date	Name	<h1>Ex-Enclosure</h1> <h2>160 x 75 x 75 mm</h2>				
	Draw.	08.06.2018	SL						
	Appr.	08.06.2018	KH						
	Norm								
	Scale:		1:2.5						
	Material:	Polyester		Drawing-Nr.:	see table		1	of 1	
Status	Modification	Date	Name	Z:\Inventor\Gehäuse\Ex-Gehäuse-Polyester\17160808000\Ex-Polyester-Gehäuse-06-BG-0001-17_160808_000.idw				A4	
							V3		

Please note that the above representation is just a dimension illustration.