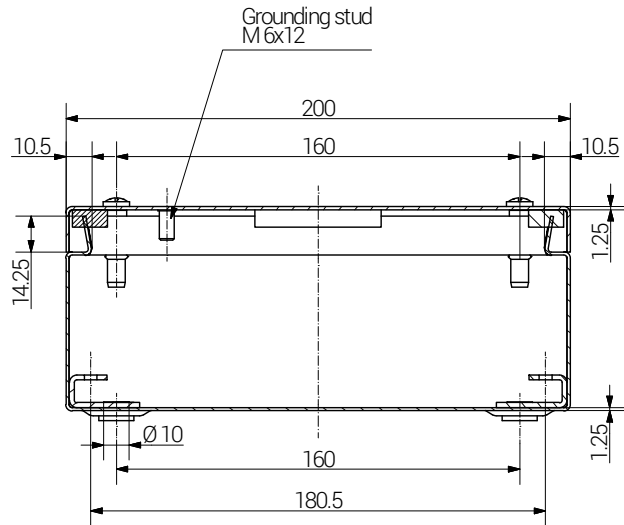
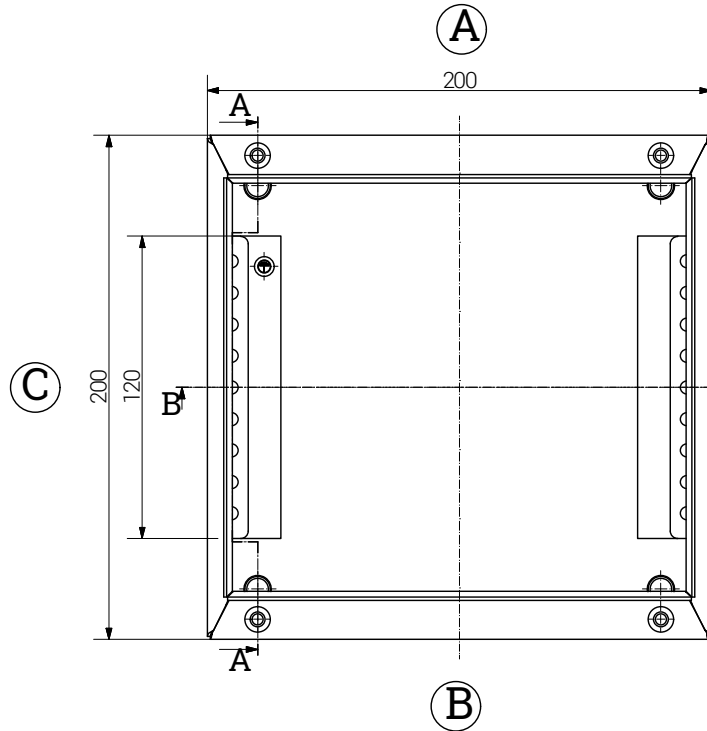


Article	Length	Width	Height	External Mounting Brackets	External Hinge
	(mm)	(mm)	(mm)	Aluminium set	pair
20 202008 000	200	200	81	x	x

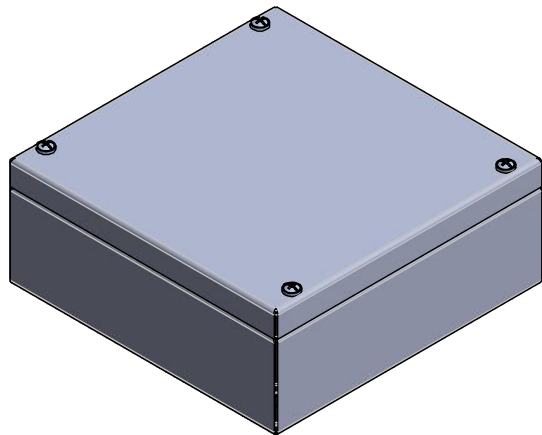
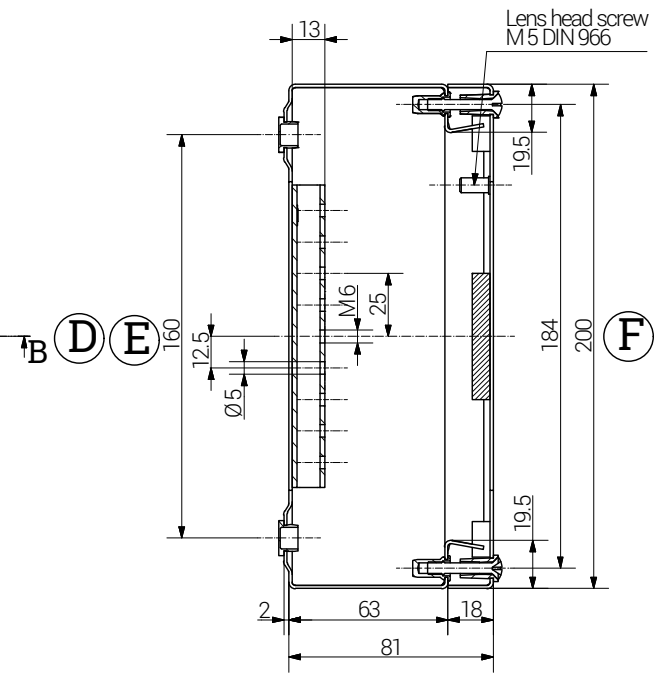
Section B-B




base



Section A-A



 <p>RST connected by competence</p>		<p>RST Rabe-System-Technik und Vertriebs-GmbH Otto-Lilienthal-Strasse 19 49134 Wallenhorst ☎ +49 5407 8766-0 ✉ +49 5407 8766-99 ✉ info@rst.eu</p>		<p>Unless otherwise specified on the drawing: Metric Thread = EN 60423 PG Thread = DIN 40430 NPT Thread = ANSI B1.20.1 Tolerance: DIN ISO 2768-m All dimensions in mm.</p>		<p>Abusively use, in particular reproduction and dissemination to third parties is not permitted. You can be punished by civil law. Technical changes are reserved.</p>																			
		<table border="1"> <thead> <tr> <th></th> <th>Date</th> <th>Name</th> </tr> </thead> <tbody> <tr> <td>Draw.</td> <td>30.05.2018</td> <td>SL</td> </tr> <tr> <td>Appr.</td> <td>30.05.2018</td> <td>KH</td> </tr> <tr> <td>Norm</td> <td></td> <td></td> </tr> <tr> <td>Scale:</td> <td></td> <td>1:3</td> </tr> <tr> <td>Material:</td> <td colspan="2">Stainless Steel</td> </tr> </tbody> </table>			Date	Name	Draw.	30.05.2018	SL	Appr.	30.05.2018	KH	Norm			Scale:		1:3	Material:	Stainless Steel		<p>Enclosure 200 x 200 x 81 mm</p>		<p>Drawing-Nr.: 20 202008 000</p>	
	Date	Name																							
Draw.	30.05.2018	SL																							
Appr.	30.05.2018	KH																							
Norm																									
Scale:		1:3																							
Material:	Stainless Steel																								
Status	Modification	Date	Name	<p>Z:\Inventor\Gehäuse\Gehäuse-Edelstahl\202020080001\Edelstahl-Gehäuse-07-BG-0001-202020080000.idw</p>				<p>A4</p>																	
								<p>V5</p>																	

Please note that the above representation is just a dimension illustration.