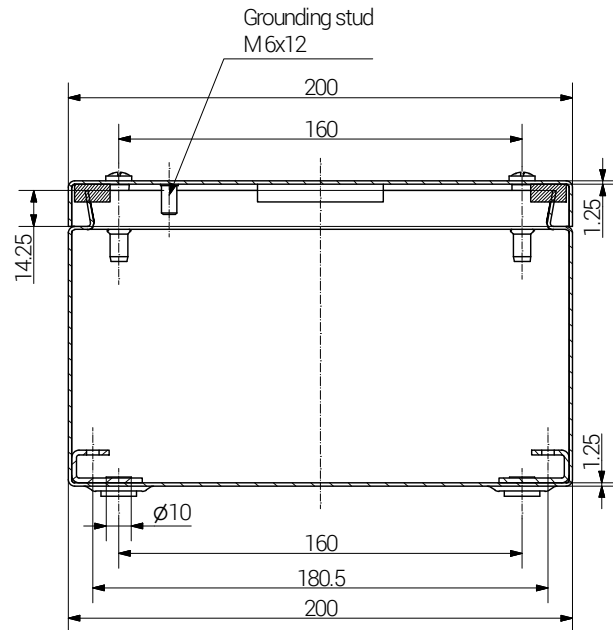
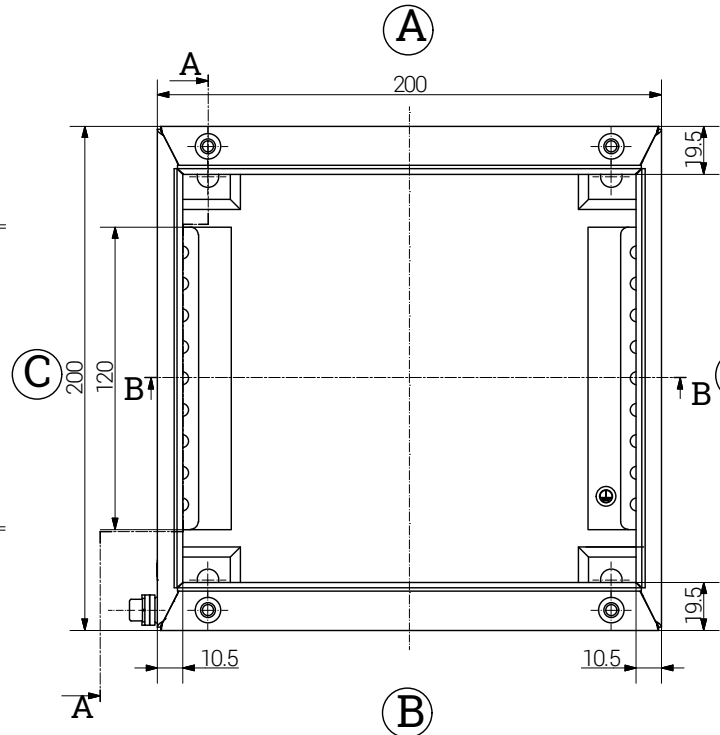


Article		Length	Width	Height	External Mounting Brackets	External Hinge
Ex e	Ex ia	(mm)	(mm)	(mm)	Aluminium set	pair
21 202012 000	22 202012 000	200	200	121	x	x

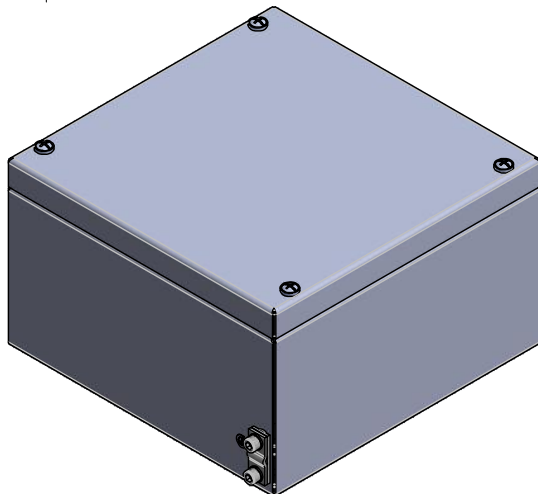
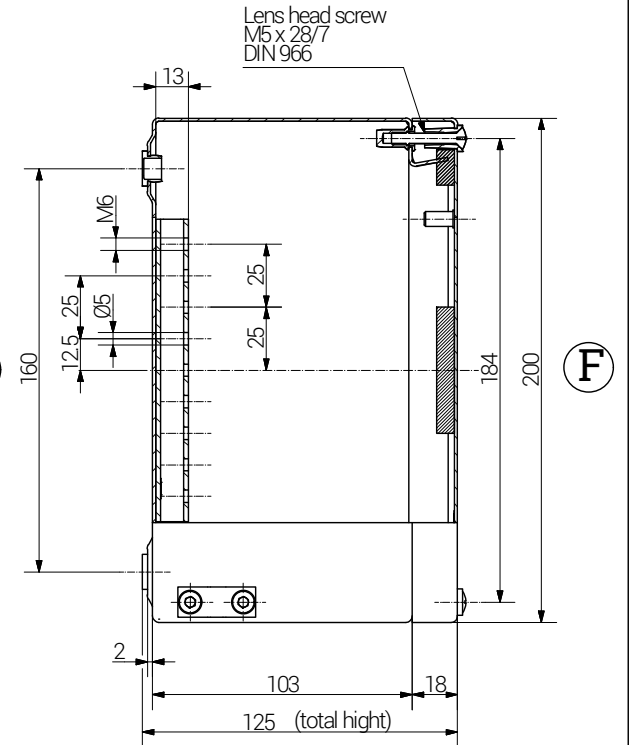
Section B-B



base



Section A-A



RST Rabe-System-Technik und Vertriebs-GmbH
 Otto-Lilienthal-Strasse 19
 49134 Wallenhorst
 ☎ +49 5407 8766-0
 ☎ +49 5407 8766-99
 ✉ info@rst.eu

Unless otherwise specified on the drawing:
 Metric Thread = EN 60423
 PG Thread = DIN 40430
 NPT Thread = ANSI B1.20.1
 Tolerance: DIN ISO 2768-m
 All dimensions in mm.

Abusively use, in particular reproduction and dissemination to third parties is not permitted. You can be punished by civil law. Technical changes are reserved.

	Date	Name
Draw.	12.06.2018	SL
Appr.	12.06.2018	KH
Norm		
Scale:		1:3

Material:
Stainless Steel

Drawing-Nr.:
 see table

Enclosure
200 x 200 x 121 mm

1 of
1

A4
 V6

Status	Modification	Date	Name
			Z:\Inventor\Gehäuse\Ex-Gehäuse-Edelstahl\21202012000\Ex-Edelstahl-Gehäuse-08-BG-0001-21202012000.rdw

Please note that the above representation is just a dimension illustration.