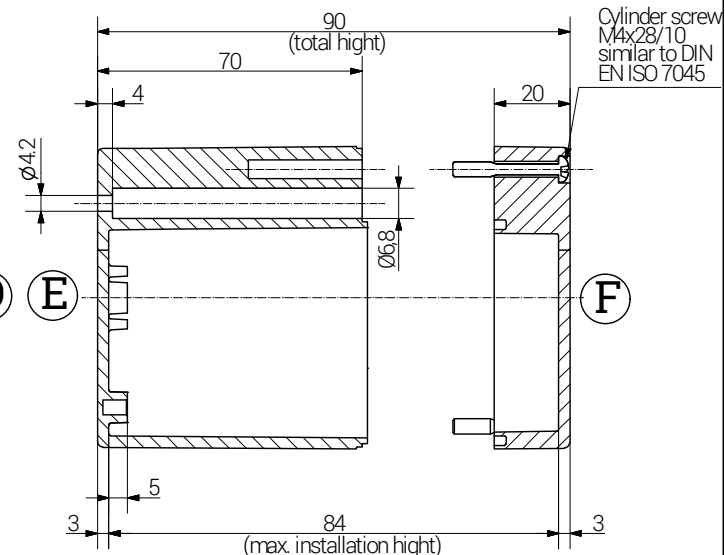
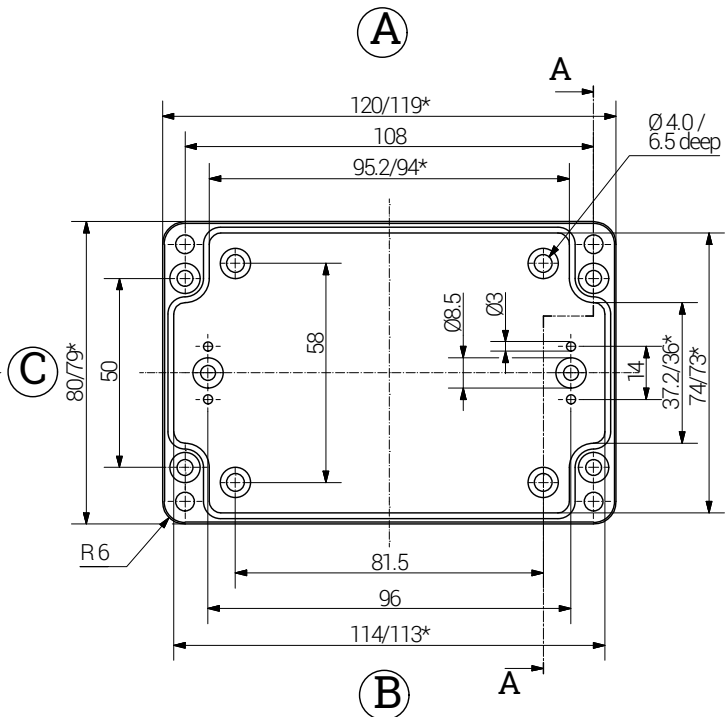
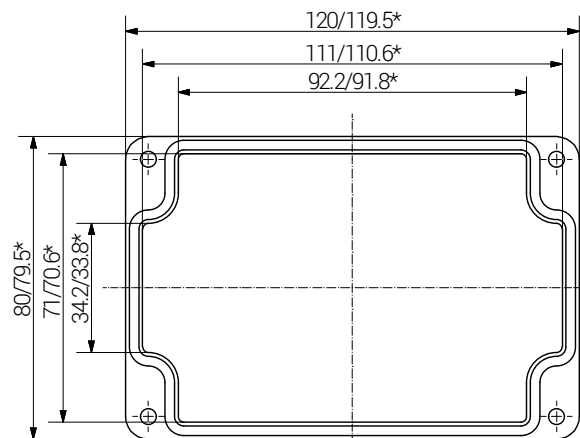


Article			Length (mm)	Width (mm)	Height (mm)	DIN Rail for Terminals		Mounting Plate Thickness in mm	External Mounting Brackets set	External Hinge Appr. 150°C PC pair
ABS	Polycarbonate	Polycarbonate with clear lid				TS 15	TS 35			
01 120809 010	02 120809 010	-	120	80	90	x	x	1.5	x	x

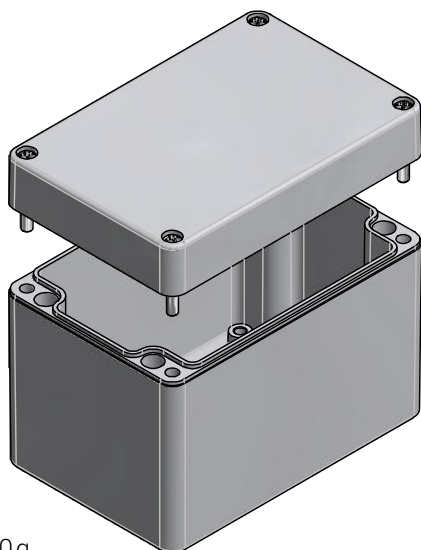
lid

base

Section A-A



\*= Dimension reduced at bottom due to conical form.  
Tolerances to DIN 16901-130.



Weight: 230 g

		<b>RST Rabe-System-Technik und Vertriebs-GmbH</b> Otto-Lilienthal-Strasse 19 49134 Wallenhorst ☎ +49 5407 8766-0 ☎ +49 5407 8766-99 ✉ info@rst.eu			Unless otherwise specified on the drawing: Metric Thread = EN 60423 PG Thread = DIN 40430 NPT Thread = ANSI B1.20.1 Tolerance: DIN ISO 2768-m All dimensions in mm.		Abusively use, in particular reproduction and dissemination to third parties is not permitted. You can be punished by civil law. Technical changes are reserved.	
		Date: 29.01.2018 Name: SL	<b>Enclosure</b> <b>120 x 80 x 90 mm</b>		Drawing-Nr.: see table	1 of 1 A4		
Appr.: 29.01.2018 Name: KH	Scale: 1:2							
Norm:	Material: see table	Drawing-Nr.: see table		1 of 1				
Status:	Modification:	Date:	Name:	Z:\Inventor\Gehäuse\Gehäuse-ABS\01120809010\ABS-Gehäuse-09-BG-0001-01_120809_010.idw	V5			

Please note that the above representation is just a dimension illustration.