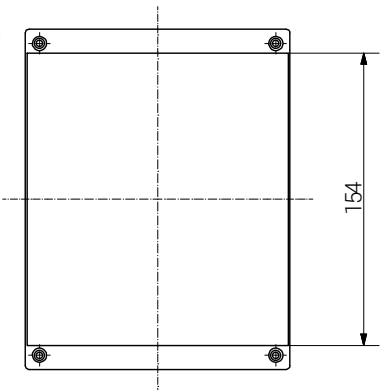
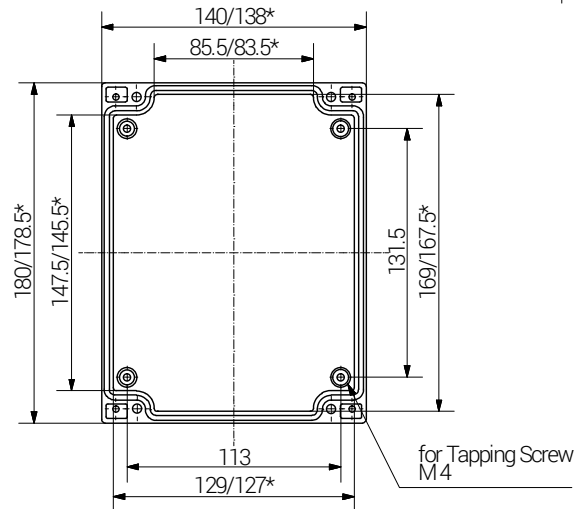


View F



lid



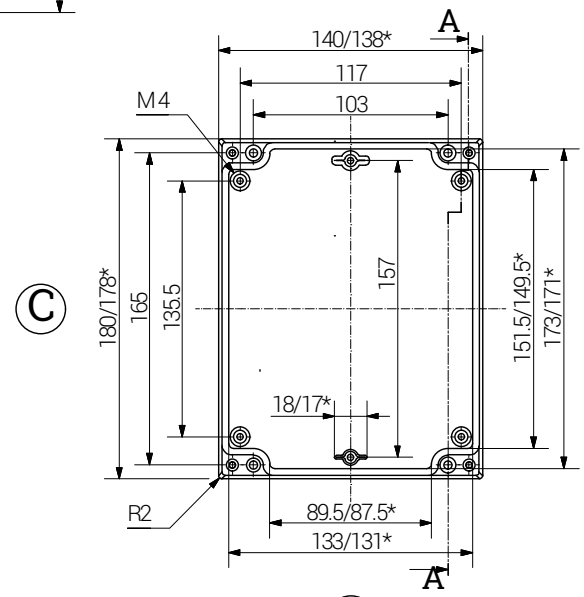
Article	Length (mm)	Width (mm)	Height (mm)	Mounting Rail		Mounting Plate	External bars pair	External Hinge in Aluminium pair
				TS 15	TS 35			
08 181407 000	180	140	70	x	x	x	x	x

*= Dimension reduced at bottom due to conical form
Tolerances to GTA 13/5 - DIN 1688.

base

A

Section A-A

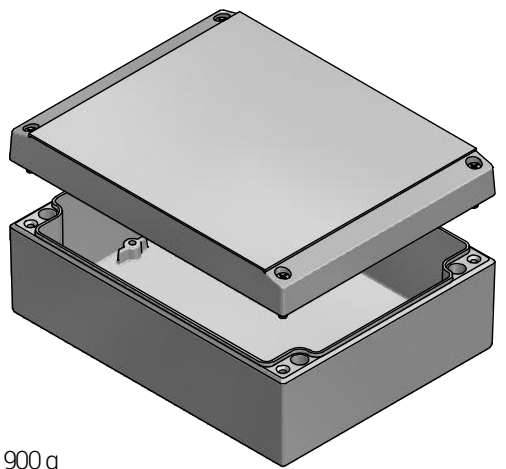
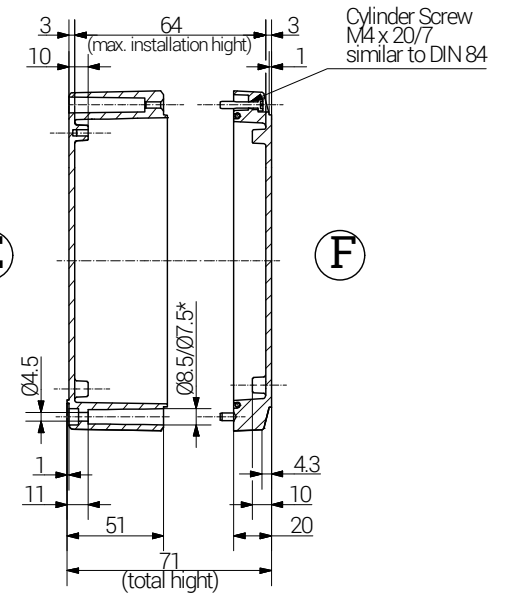


B


D

E

F



Weight: 900 g

		RST Rabe-System-Technik und Vertriebs-GmbH Otto-Lilienthal-Strasse 19 49134 Wallenhorst ☎ +49 5407 8766-0 ☎ +49 5407 8766-99 ✉ info@rst.eu			Unless otherwise specified on the drawing: Metric Thread = EN 60423 PG Thread = DIN 40430 NPT Thread = ANSI B1.20.1 Tolerance: DIN ISO 2768-m All dimensions in mm.		Abusively use, in particular reproduction and dissemination to third parties is not permitted. You can be punished by civil law. Technical changes are reserved.	
		Date: 08.06.2018 Name: SL	<h1>Electronic Enclosure</h1> <h2>180 x 140 x 70 mm</h2>		Drawing-Nr.: 08 181407 000		1 of 1	
Appr.: 08.06.2018 Name: KH								
Norm:								
Scale: 1:4								
Material: Aluminium		Drawing-Nr.: 08 181407 000		A4				
Status	Modification	Date	Name	Z:\Inventor\Gehäuse\Elektronikgehäuse-Aluminium\08181407000\Elektronikgehäuse-Alu-09-BG-0001-08_181407_000.idw		V8		

Please note that the above representation is just a dimension illustration.