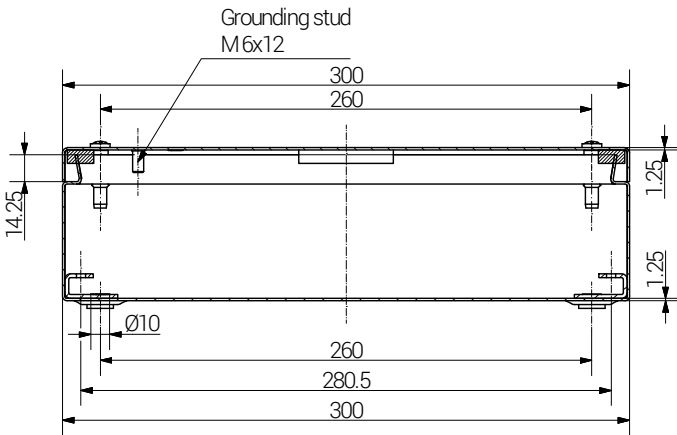


Article		Length	Width	Height	External Mounting Brackets	External Hinge
Ex e	Ex ia	(mm)	(mm)	(mm)	Aluminium set	pair
21 302008 000	22 302008 000	300	200	81	x	x

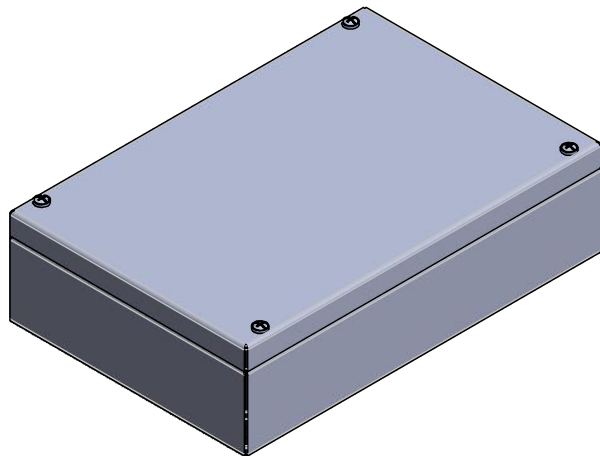
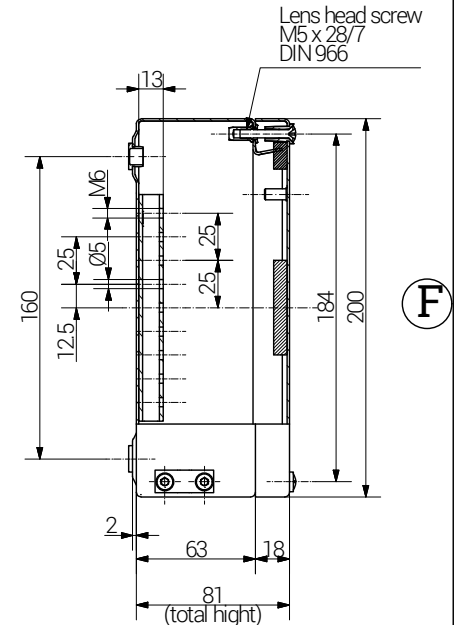
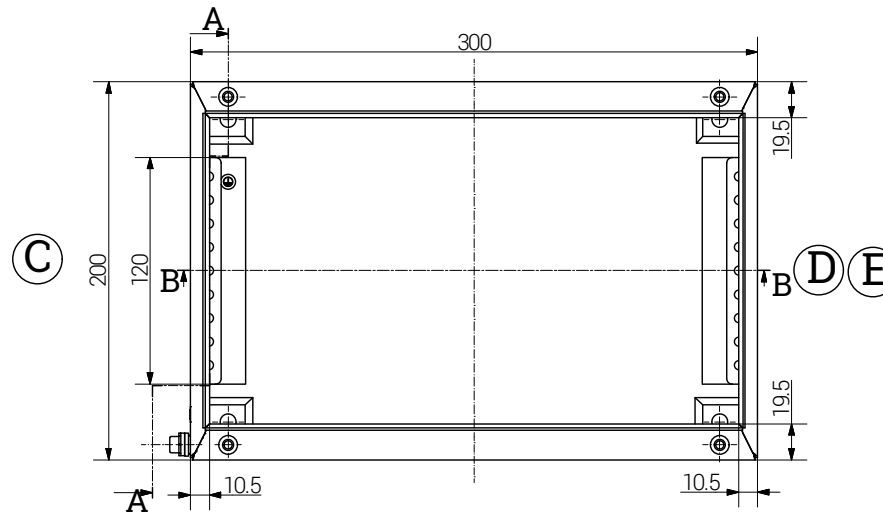
Section B-B




base

A

Section A-A



		RST Rabe-System-Technik und Vertriebs-GmbH Otto-Lilienthal-Strasse 19 49134 Wallenhorst ☎ +49 5407 8766-0 📠 +49 5407 8766-99 ✉ info@rst.eu			Unless otherwise specified on the drawing: Metric Thread = EN 60423 PG Thread = DIN 40430 NPT Thread = ANSI B1.20.1 Tolerance: DIN ISO 2768-m All dimensions in mm.		Abusively use, in particular reproduction and dissemination to third parties is not permitted. You can be punished by civil law. Technical changes are reserved.															
		<table border="1"> <thead> <tr> <th>Date</th> <th>Name</th> </tr> </thead> <tbody> <tr> <td>Draw. 12.06.2018</td> <td>SL</td> </tr> <tr> <td>Appr. 12.06.2018</td> <td>KH</td> </tr> <tr> <td>Norm</td> <td></td> </tr> <tr> <td>Scale:</td> <td>1:4</td> </tr> <tr> <td>Material:</td> <td>Stainless Steel</td> </tr> </tbody> </table>	Date	Name	Draw. 12.06.2018	SL	Appr. 12.06.2018	KH	Norm		Scale:	1:4	Material:	Stainless Steel	Drawing-Nr.: see table		<table border="1"> <tr> <td>1</td> <td>of 1</td> </tr> <tr> <td colspan="2">A4</td> </tr> <tr> <td colspan="2">V5</td> </tr> </table>		1	of 1	A4	
Date	Name																					
Draw. 12.06.2018	SL																					
Appr. 12.06.2018	KH																					
Norm																						
Scale:	1:4																					
Material:	Stainless Steel																					
1	of 1																					
A4																						
V5																						
Status	Modification	Date	Name	Z:\Inventor\Gehäuse\Ex-Gehäuse-Edelstahl\21302008000\Ex-Edelstahl-Gehäuse-09-BG-0001-21302008000.idw																		

Please note that the above representation is just a dimension illustration.