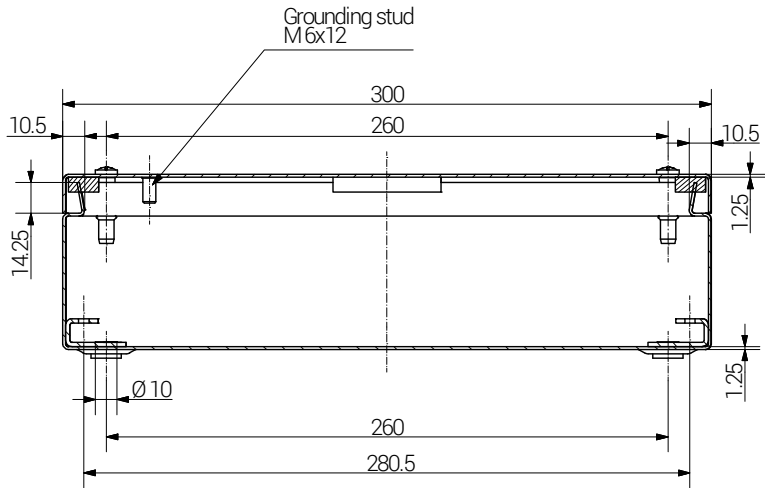
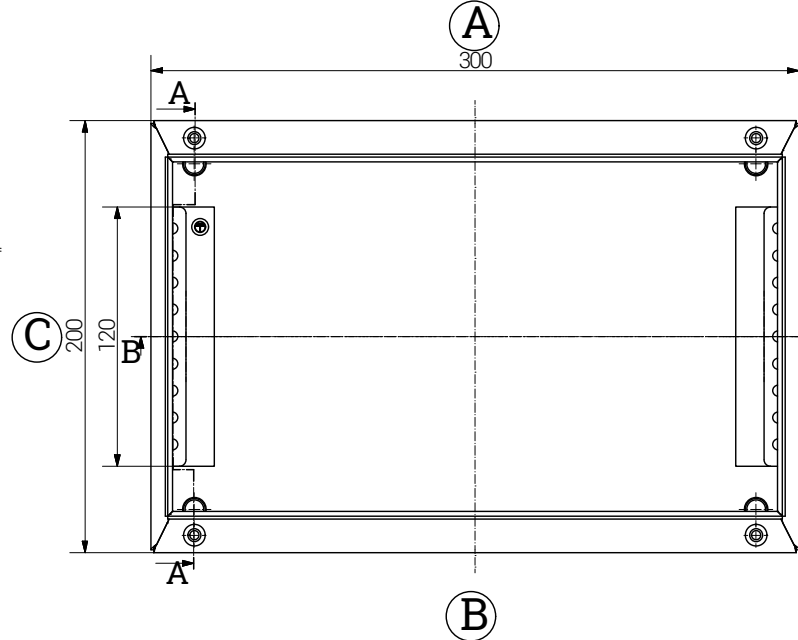


Article	Length	Width	Height	External Mounting Brackets	External Hinge
	(mm)	(mm)	(mm)	Aluminium set	pair
20 302008 000	300	200	81	X	X

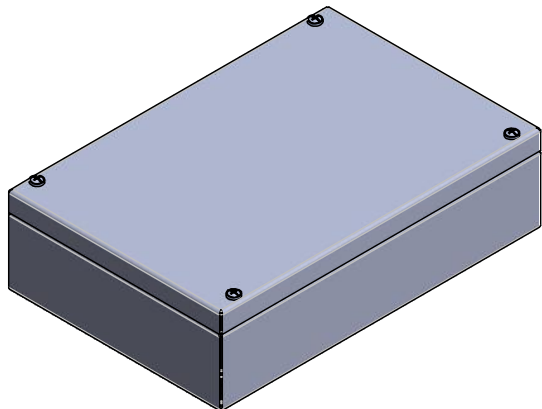
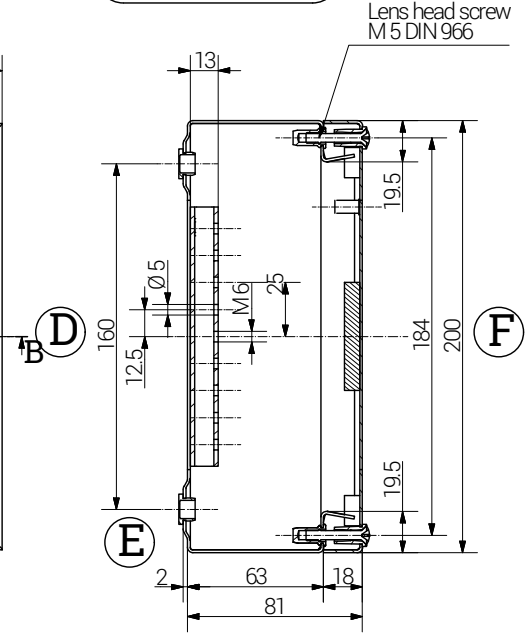
Section B-B




base



Section A-A



		RST Rabe-System-Technik und Vertriebs-GmbH Otto-Lilienthal-Strasse 19 49134 Wallenhorst ☎ +49 5407 8766-0 📠 +49 5407 8766-99 ✉ info@rst.eu			Unless otherwise specified on the drawing: Metric Thread = EN 60423 PG Thread = DIN 40430 NPT Thread = ANSI B1.20.1 Tolerance: DIN ISO 2768-m All dimensions in mm.		Abusively use, in particular reproduction and dissemination to third parties is not permitted. You can be punished by civil law. Technical changes are reserved.																					
		<table border="1"> <thead> <tr> <th></th> <th>Date</th> <th>Name</th> </tr> </thead> <tbody> <tr> <td>Draw.</td> <td>30.05.2018</td> <td>SL</td> </tr> <tr> <td>Appr.</td> <td>30.05.2018</td> <td>KH</td> </tr> <tr> <td>Norm</td> <td></td> <td></td> </tr> <tr> <td>Scale:</td> <td></td> <td>1:3,5</td> </tr> <tr> <td>Material:</td> <td colspan="2">Stainless Steel</td> </tr> </tbody> </table>		Date	Name	Draw.	30.05.2018	SL	Appr.	30.05.2018	KH	Norm			Scale:		1:3,5	Material:	Stainless Steel		Drawing-Nr.: <h1 style="text-align: center;">Enclosure</h1> <h2 style="text-align: center;">300 x 200 x 81 mm</h2>		<table border="1"> <tr> <td style="text-align: center; font-size: 2em;">1</td> <td style="text-align: center; font-size: 0.8em;">of 1</td> </tr> <tr> <td colspan="2" style="text-align: center;">A4</td> </tr> <tr> <td colspan="2" style="text-align: center;">V8</td> </tr> </table>		1	of 1	A4	
	Date	Name																										
Draw.	30.05.2018	SL																										
Appr.	30.05.2018	KH																										
Norm																												
Scale:		1:3,5																										
Material:	Stainless Steel																											
1	of 1																											
A4																												
V8																												
Status	Modification	Date	Name	Z:\Inventor\Gehäuse\Gehäuse-Edelstahl\203020080001\Edelstahl-Gehäuse-09-BG-0001-203020080000.idw																								

Please note that the above representation is just a dimension illustration.