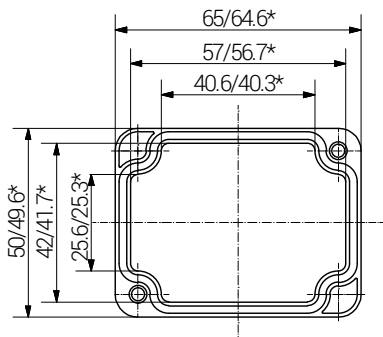
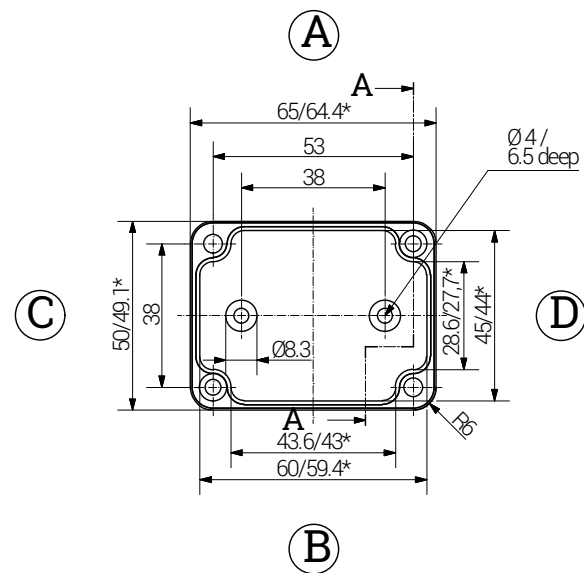


Article			Length (mm)	Width (mm)	Height (mm)	DIN Rail for Terminals		Mounting Plate Thickness in mm	External Mounting Brackets set	External Hinge Appr. 150°C PC pair
ABS	Polycarbonate	Polycarbonate with clear lid				TS 15	TS 35			
01 070504 000	02 070504 000	02 070504 045	65	50	35	x	-	1.5	-	-

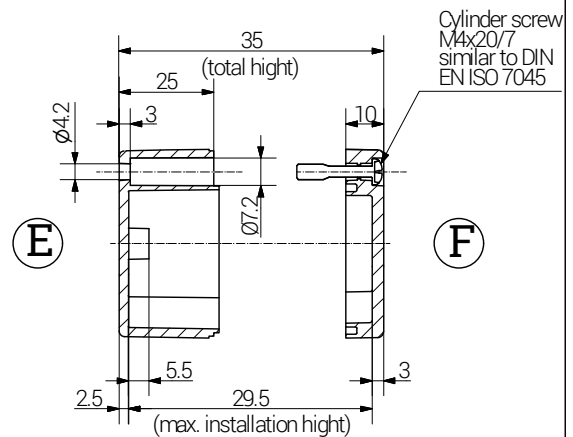
lid



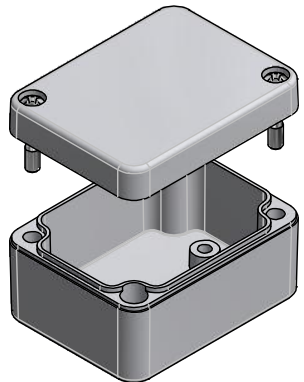
base




Section A-A



*= Dimension reduced at bottom due to conical form
Tolerances to DIN 16901-130.



Weight: 50 g

		RST Rabe-System-Technik und Vertriebs-GmbH Otto-Lilienthal-Strasse 19 49134 Wallenhorst ☎ +49 5407 8766-0 ☎ +49 5407 8766-99 ✉ info@rst.eu			Unless otherwise specified on the drawing: Metric Thread = EN 60423 PG Thread = DIN 40430 NPT Thread = ANSI B1.20.1 Tolerance: DIN ISO 2768-m All dimensions in mm.		Abusively use, in particular reproduction and dissemination to third parties is not permitted. You can be punished by civil law. Technical changes are reserved.	
		Date Draw. 28.05.2018 Appr. 28.05.2018 Norm Scale: 1:2 Material: see table		Name SL KH		<h1 style="text-align: center;">Enclosure</h1> <h2 style="text-align: center;">65 x 50 x 35 mm</h2>		Drawing-Nr.: see table <div style="text-align: right; border: 1px solid black; padding: 5px;"> 1 of 1 A4 V50 </div>
Status	Modification	Date	Name	Z:\Inventor\Gehäuse\Gehäuse-ABS\01070504000\ABS-Gehäuse-02-BG-0002-01_070504_000.idw				

Please note that the above representation is just a dimension illustration.