



Material	Messing, blank (weitere auf Anfrage)
Dichteinsatz	Chloropren (Silikon auf Anfrage)
O-Ring	NBR (Silikon auf Anfrage)
Einsatztemperatur	-35°C bis +90°C (Silikon: -60°C bis +180°C)
Schutzart	IP66 / IP68
ATEX-Kennzeichnung	Ex II 1D 2G Ex d IIC Gb / Ex e IIC Gb / Ex ta IIIC Da
Hinweis	Ex e/d-Kabelverschraubung für nicht armierte Kabel.

Material	Natural Brass (Further on Request)
Sealing	Chloroprene (Silicone on Request)
O-Ring	NBR (Silicone on Request)
Operating Temperature	-35°C to +90°C (Silicone: -60°C to +180°C)
Protection Class	IP66 / IP68
ATEX Marking	Ex II 1D 2G Ex d IIC Gb / Ex e IIC Gb / Ex ta IIIC Da
Note	Ex e/d cable gland for non armoured cable.

Für besondere Bedingungen oder Einschränkungen siehe entsprechende Produktdokumentation.

For specific conditions or limitations please see relevant product documentation.

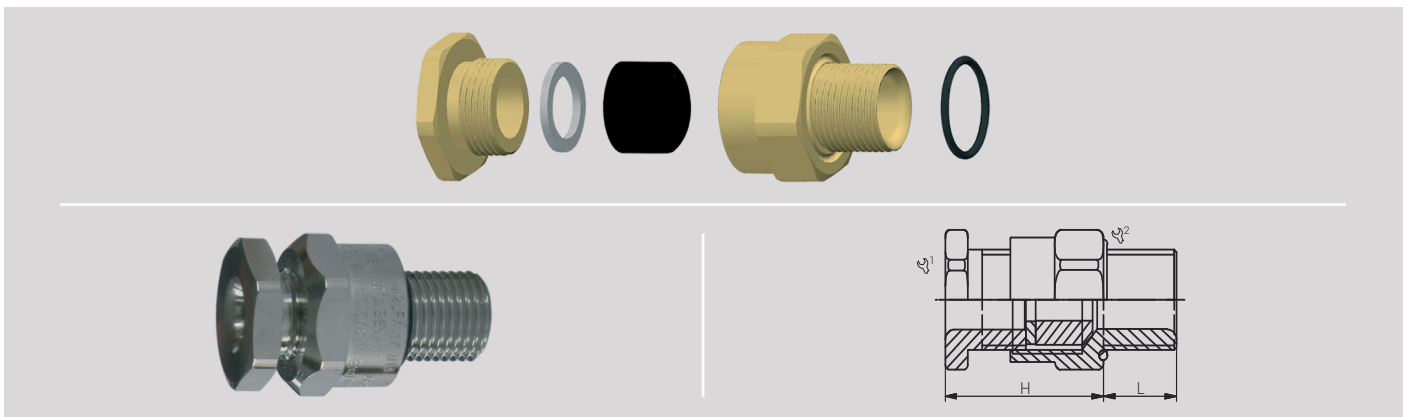
Zulassungen / Approvals



SIRA01ATEX1272X IECExSIR07.0096X TC RU C-GB.BH02.B.00693 NCC 13.2012X 1356011 2021 31231 3000408

Artikel-Nummer RST Article Code RST	Hersteller-Nummer Manufacturer Code	Hersteller Manufacturer	Größe Size	Gewinde Entry Thread	Klemmbereich Gland Seal Range Kabelmantel außen Cable Outer Sheath (mm)			L (mm)	H (mm)	VPE PU
					≥	≤				
77051120	A2LBF 16/M20	peppers	16	M20x1.5	4.0	8.4	24/26	16.0	33.0	lose/loose
77051121	A2LBF 20s/M20		20s	M20x1.5	7.2	11.7	24/26	16.0	33.0	lose/loose
77051122	A2LBF 20/M20		20	M20x1.5	9.4	14.0	30/30	16.0	33.0	lose/loose
77051125	A2LBF 25/M25		25	M25x1.5	13.5	20.0	38/38	16.0	33.0	lose/loose
77051132	A2LBF 32/M32		32	M32x1.5	19.5	26.3	46/46	16.0	33.0	lose/loose
77051140	A2LBF 40/M40		40	M40x1.5	23.0	32.2	55/55	16.0	37.0	lose/loose
77051150	A2LBF 50s/M50		50s	M50x1.5	28.1	38.2	65/65	16.0	37.0	lose/loose
77051151	A2LBF 50/M50		50	M50x1.5	33.1	44.1	65/65	16.0	37.0	lose/loose
77051163	A2LBF 63s/M63		63s	M63x1.5	39.2	50.1	80/80	19.0	37.0	lose/loose
77051164	A2LBF 63/M63		63	M63x1.5	46.7	56.0	80/80	19.0	37.0	lose/loose
77051175	A2LBF 75s/M75		75s	M75x1.5	52.1	62.0	90/90	19.0	37.0	lose/loose
77051176	A2LBF 75/M75		75	M75x1.5	58.0	68.0	90/90	19.0	37.0	lose/loose
77051180	A2LBF 80/M80		80	M80x2.0	62.2	72.0	105/104	25.0	50.0	lose/loose
77051185	A2LBF 85/M85		85	M85x2.0	69.0	78.0	105/104	25.0	50.0	lose/loose
77051190	A2LBF 90/M90		90	M90x2.0	74.0	84.0	114/114	25.0	50.0	lose/loose
77051100	A2LBF 100/M100		100	M100x2.0	82.0	90.0	114/114	25.0	50.0	lose/loose

Weitere Produkte des Herstellers auf Anfrage. / Further products of the manufacturer on request.





Material	Messing, blank (weitere auf Anfrage)
Dichteinsatz	Chloropren (Silikon auf Anfrage)
Einsatztemperatur	-35°C bis +90°C (Silikon: -60°C bis +180°C)
Schutzart	IP66 / IP68
ATEX-Kennzeichnung	Ex II 1D 2G Ex d IIC Gb / Ex e IIC Gb / Ex ta IIIC Da
Hinweis	Ex e/d-Kabelverschraubung für nicht armierte Kabel.

Material	Natural Brass (Further on Request)
Sealing	Chloroprene (Silicone on Request)
Operating Temperature	-35°C to +90°C (Silicone: -60°C to +180°C)
Protection Class	IP66 / IP68
ATEX Marking	Ex II 1D 2G Ex d IIC Gb / Ex e IIC Gb / Ex ta IIIC Da
Note	Ex e/d cable gland for non armoured cable.

Für besondere Bedingungen oder Einschränkungen siehe entsprechende Produktdokumentation.

For specific conditions or limitations please see relevant product documentation.

Zulassungen / Approvals



SIRA01ATEX1272X IECEXSIR07.0096X TC RU C-GB.BH02.B.00693 NCC 13.2012X 1356011 2021 31231 3000408

Artikel-Nummer RST Article Code RST	Hersteller-Nummer Manufacturer Code	Hersteller Manufacturer	Größe Size	Gewinde Entry Thread	Klemmbereich Gland Seal Range Kabelmantel außen Cable Outer Sheath (mm)		$\frac{1}{2}$	L (mm)	H (mm)	VPE PU
					≥	≤				
77051301	A2LBF 16/050NPT	peppers	16	NPT 1/2"	4.0	8.4	24/25	16.00	33.0	lose/loose
77051302	A2LBF 16/075NPT		16	NPT 3/4"	4.0	8.4	24/25	16.00	33.0	lose/loose
77051303	A2LBF 20s/050NPT		20s	NPT 1/2"	7.2	11.7	24/25	16.00	33.0	lose/loose
77051304	A2LBF 20s/075NPT		20s	NPT 3/4"	7.2	11.7	24/25	16.00	33.0	lose/loose
77051305	A2LBF 20/050NPT		20	NPT 1/2"	9.4	14.0	30/30	16.00	33.0	lose/loose
77051306	A2LBF 20/075NPT		20	NPT 3/4"	9.4	14.0	30/30	16.00	33.0	lose/loose
77051307	A2LBF 25/075NPT		25	NPT 3/4"	13.5	20.0	38/38	16.00	33.0	lose/loose
77051308	A2LBF 25/100NPT		25	NPT 1"	13.5	20.0	38/38	16.00	33.0	lose/loose
77051309	A2LBF 32/100NPT		32	NPT 1"	19.5	26.3	46/46	16.00	33.0	lose/loose
77051310	A2LBF 32/125NPT		32	NPT 1 1/4"	19.5	26.3	46/46	16.00	33.0	lose/loose
77051311	A2LBF 40/125NPT		40	NPT 1 1/4"	23.0	32.2	55/55	16.00	37.0	lose/loose
77051312	A2LBF 40/150NPT		40	NPT 1 1/2"	23.0	32.2	55/55	16.00	37.0	lose/loose
77051313	A2LBF 50s/150NPT		50s	NPT 1 1/2"	28.1	38.2	65/65	16.00	37.0	lose/loose
77051314	A2LBF 50s/200NPT		50s	NPT 2"	28.1	38.2	65/65	16.00	37.0	lose/loose
77051315	A2LBF 50/200NPT		50	NPT 2"	33.1	44.1	65/65	16.00	37.0	lose/loose
77051316	A2LBF 63s/200NPT		63s	NPT 2"	39.2	50.1	80/80	19.00	37.0	lose/loose
77051317	A2LBF 63s/250NPT		63s	NPT 2 1/2"	39.2	50.1	80/80	19.00	37.0	lose/loose
77051318	A2LBF 63/250NPT		63	NPT 2 1/2"	46.7	56.0	80/80	19.00	37.0	lose/loose
77051319	A2LBF 75s/250NPT		75s	NPT 2 1/2"	52.1	62.0	90/90	19.00	37.0	lose/loose
77051320	A2LBF 75s/300NPT		75s	NPT 3"	52.1	62.0	90/90	19.00	37.0	lose/loose
77051321	A2LBF 75/300NPT		75	NPT 3"	58.0	68.0	90/90	19.00	37.0	lose/loose
77051322	A2LBF 80/300NPT		80	NPT 3"	62.2	72.0	105/104	25.00	50.0	lose/loose
77051323	A2LBF 80/350NPT		80	NPT 3 1/2"	62.2	72.0	105/104	25.00	50.0	lose/loose
77051324	A2LBF 85/300NPT		85	NPT 3"	69.0	78.0	105/104	25.00	50.0	lose/loose
77051325	A2LBF 85/350NPT		85	NPT 3 1/2"	69.0	78.0	105/104	25.00	50.0	lose/loose
77051326	A2LBF 90/350NPT		90	NPT 3 1/2"	74.0	84.0	114/114	25.00	50.0	lose/loose
77051327	A2LBF 90/400NPT		90	NPT 4"	74.0	84.0	114/114	25.00	50.0	lose/loose
77051328	A2LBF 100/350NPT		100	NPT 3 1/2"	82.0	90.0	114/114	25.00	50.0	lose/loose
77051329	A2LBF 100/400NPT		100	NPT 4"	82.0	90.0	114/114	25.00	50.0	lose/loose

Weitere Produkte des Herstellers auf Anfrage. / Further products of the manufacturer on request.

