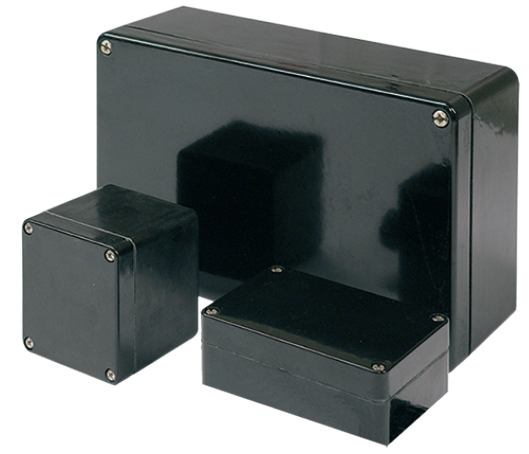
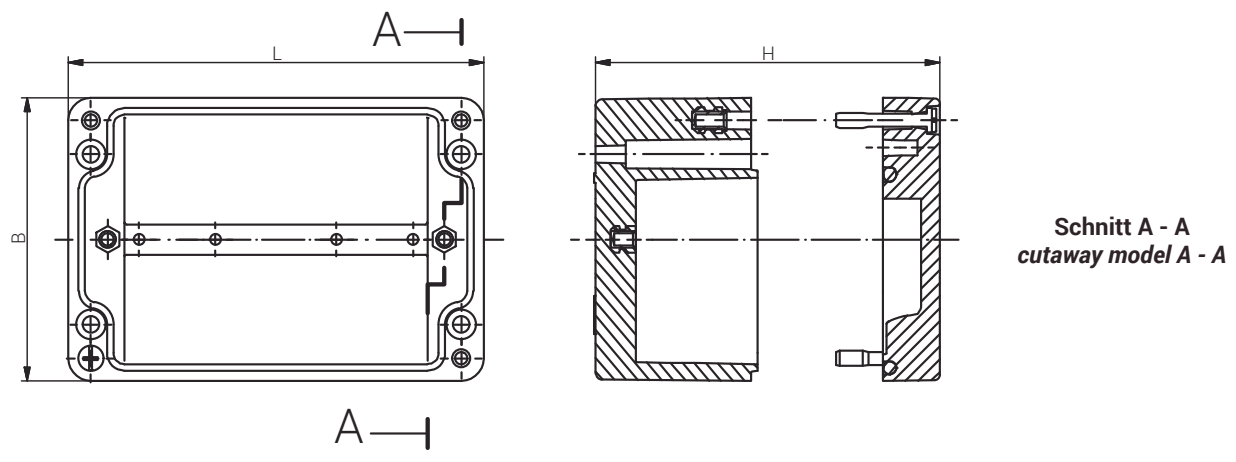


|                   |  |
|-------------------|--|
| Material          | Polyester mit Graphitzusatz  |
| Farbton           | RAL 9011, schwarz  |
| Dichtung          | Silikon  |
| Einsatztemperatur | -20°C bis +40°C - entspricht T6= +85°C Oberflächentemperatur (weitere auf Anfrage) |
| Schutzart         | IP66   |

|                       |  |
|-----------------------|--|
| Material              | <i>Polyester, Graphite Added</i>   |
| Colour                | <i>RAL 9011, black</i>   |
| Sealing               | <i>Silicone</i>  |
| Operating Temperature | <i>-20°C to +40°C - equal to T6 = +85°C surface temperature (Further on Request)</i> |
| Protection Class      | <i>IP66</i>  |



Gehäuse  
*Enclosure*  
 EX-GEHÄUSE PES  
 Ex ia



Produktdokumentation  
*Product Documentation*



RST Rabe-System-Technik und Vertriebs-GmbH  
 Otto-Lilienthal-Strasse 19  
 49134 Wallenhorst  
 DEUTSCHLAND  
 ☎ +49 5407 8766-0  
 📠 +49 5407 8766-99  
 ✉ info@rst.eu  
 🌐 www.rst.eu

| Artikel<br>Article | Länge<br>length<br>(mm) | Breite<br>width<br>(mm) | Höhe<br>height<br>(mm) | Tragschiene<br>für Klemmen<br>DIN rail for<br>terminals |       | Schutzleiter-<br>sammel-<br>schiene<br>PE busbar | Schutzleiter-<br>haltewinkel<br>PE angele<br>brackets | Montage-<br>platte<br>Stärke in mm<br>Mounting plate<br>thickness in<br>mm | Außenbefesti-<br>gungslaschen<br>External moun-<br>ting brackets | Gelenk außen<br>External hinge | Off-Shore<br>Platte<br>off-shore plate | Zulassungen<br>Approvals |
|--------------------|-------------------------|-------------------------|------------------------|---|-------|--|---|--|--|--------------------------------|--|--------------------------|
|                    |                         |                         |                        | TS 15   | TS 35 |  |   |  |  |                                |  |                          |
| 18 080806 000      | 80                      | 75                      | 55                     | x   | -     | -  | x   | 2.0 <sup>b)</sup>  | x  | -                              | x                                      | ATEX / IECEx / EAC       |
| 18 080808 000      | 80                      | 75                      | 75                     | x   | -     | -  | x   | 2.0 <sup>b)</sup>  | x  | -                              | x                                      | ATEX / IECEx / EAC       |
| 18 110806 000      | 110                     | 75                      | 55                     | x   | -     | -  | x   | 2.0 <sup>b)</sup>  | x  | -                              | x                                      | ATEX / IECEx / EAC       |
| 18 110808 000      | 110                     | 75                      | 75                     | x   | -     | -  | x   | 2.0 <sup>b)</sup>  | x  | -                              | x                                      | ATEX / IECEx / EAC       |
| 18 160806 000      | 160                     | 75                      | 55                     | x   | -     | -  | x   | 2.0 <sup>b)</sup>  | x  | -                              | x                                      | ATEX / IECEx / EAC       |
| 18 160808 000      | 160                     | 75                      | 75                     | x   | -     | -  | x   | 2.0 <sup>b)</sup>  | x  | -                              | x                                      | ATEX / IECEx / EAC       |
| 18 190806 000      | 190                     | 75                      | 55                     | x   | -     | -  | x   | 2.0 <sup>b)</sup>  | x  | -                              | x                                      | ATEX / IECEx / EAC       |
| 18 190808 000      | 190                     | 75                      | 75                     | x   | -     | -  | x   | 2.0 <sup>b)</sup>  | x  | -                              | x                                      | ATEX / IECEx / EAC       |
| 18 230806 000      | 230                     | 75                      | 55                     | x   | -     | -  | x   | -  | x  | -                              | x                                      | ATEX / IECEx / EAC       |
| 18 230808 000      | 230                     | 75                      | 75                     | x   | -     | -  | x   | -  | x  | -                              | x                                      | ATEX / IECEx / EAC       |
| 18 121209 000      | 122                     | 120                     | 90                     | x   | x     | -  | x   | 1.5 <sup>a)</sup>  | x  | x                              | x                                      | ATEX / IECEx / EAC       |
| 18 221209 000      | 220                     | 120                     | 90                     | x   | x     | -  | x   | 1.5 <sup>a)</sup>  | x  | x                              | x                                      | ATEX / IECEx / EAC       |
| 18 161609 000      | 160                     | 160                     | 90                     | x   | x     | x  | -   | 1.5 <sup>a)</sup>  | x  | x                              | x                                      | ATEX / IECEx / EAC       |
| 18 261609 000      | 260                     | 160                     | 90                     | x   | x     | x  | -   | 1.5 <sup>a)</sup>  | x  | x                              | x                                      | ATEX / IECEx / EAC       |
| 18 361609 000      | 360                     | 160                     | 90                     | x   | x     | x  | -   | 2.0 <sup>a)</sup>  | x  | x                              | x                                      | ATEX / IECEx / EAC       |
| 18 561609 000      | 560                     | 160                     | 90                     | x   | x     | x  | -   | 2.0 <sup>a)</sup>  | x  | x                              | x                                      | ATEX / IECEx / EAC       |
| 18 262512 000      | 255                     | 250                     | 120                    | x   | x     | x  | -   | 2.0 <sup>a)</sup>  | x  | x                              | x                                      | ATEX / IECEx / EAC       |
| 18 262516 000      | 255                     | 250                     | 160                    | x   | x     | x  | -   | 2.0 <sup>a)</sup>  | x  | x                              | x                                      | ATEX / IECEx / EAC       |
| 18 402512 000      | 400                     | 250                     | 120                    | x   | x     | x  | -   | 2.0 <sup>a)</sup>  | x  | x                              | x                                      | ATEX / IECEx / EAC       |
| 18 402516 000      | 400                     | 250                     | 160                    | x   | x     | x  | -   | 2.0 <sup>a)</sup>  | x  | x                              | x                                      | ATEX / IECEx / EAC       |
| 18 602512 000      | 600                     | 250                     | 120                    | x   | x     | x  | -   | 2.0 <sup>a)</sup>  | x  | x                              | x                                      | ATEX / IECEx / EAC       |
| 18 363609 000      | 360                     | 360                     | 90                     | x   | x     | x  | -   | 2.0 <sup>a)</sup>  | x  | x                              | x                                      | ATEX / IECEx / EAC       |
| 18 404112 000      | 400                     | 405                     | 120                    | x   | x     | x  | -   | 2.0 <sup>a)</sup>  | x  | x                              | x                                      | ATEX / IECEx / EAC       |

a) Stahlblech verzinkt / Sheet steel, zinc-plated.

b) Pertinax (Hartpapier).

## Gehäusebearbeitung und -bestückung nach kundenindividueller Vorgabe.

*Enclosure machining and assembly according to customers specifications.*



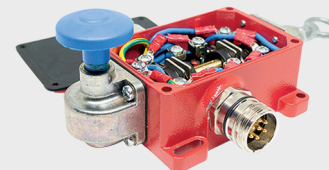
Bearbeitungen u.a. mit Durchbrüchen und Gewindebohrungen

*Machining i.e. with Cut-Outs and Threaded Holes*

Für weitere Informationen sprechen Sie uns einfach an. / *For more information please contact us.*



Bestückung u. a. mit Kabelverschraubungen  
*Assembly i. e. with Cable Glands*



Montage und Verdrahtung u. a. mit Reihen-  
klemmen und Steckverbindern

*Assembly and Wiring i. e. with Terminal Blocks  
and Connectors*