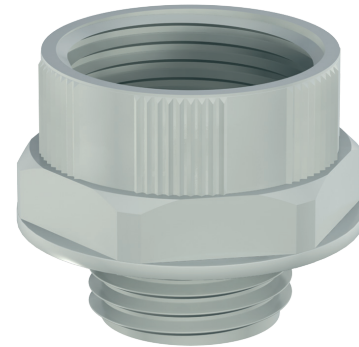


Material Polyamid 6 GF 30
 Einsatztemperatur -30°C bis +100°C
 Schutzart Abhängig von der Kombination mit weiteren Komponenten

Material Polyamide 6 GF 30
 Operating Temperature -30°C to +100°C
 Protection Class Depending on the combination with further components

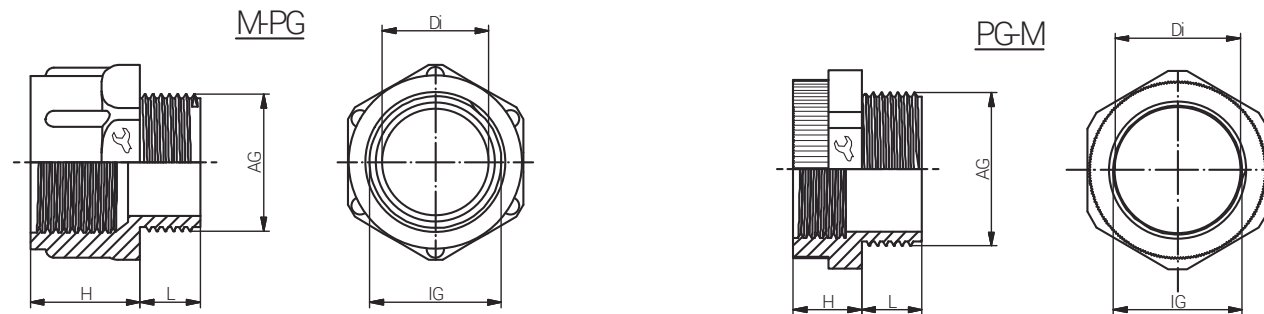


RAL 7035



Zubehör
 Accessories
 ADAPTER SECHSKANT
 M x PG / PG x M
 ADAPTER HEXAGON
 M x PG / PG x M


Produktdokumentation
 Product Documentation



RST Rabe-System-Technik und Vertriebs-GmbH
 Otto-Lilienthal-Strasse 19
 49134 Wallenhorst

DEUTSCHLAND

+49 5407 8766-0
 +49 5407 8766-99
 info@rst.eu
 www.rst.eu

Artikel Article	Gewinde EntryThread			Di (mm)	L (mm)	H (mm)	VPE PU	Zulassungen Approvals
	AG / Male	IG / Female						
RAL7035								
11071207	M12x1.5	PG 7	15	7.5	8.0	13.0	100	-
11071209	M12x1.5	PG 9	19	8.0	11.0	12.5	100	-
11071609	M16x1.5	PG 9	19	9.5	11.0	13.5	100	-
11072011	M20x1.5	PG 11	22	11.0	11.0	15.5	100	-
11072013	M20x1.5	PG 13.5	24	13.0	11.0	15.0	100	-
11072016	M20x1.5	PG 16	27	14.5	11.0	17.0	100	-
11072516	M25x1.5	PG 16	27	15.5	11.0	18.0	50	-
11072521	M25x1.5	PG 21	32	19.5	11.0	20.0	50	-
11073221	M32x1.5	PG 21	36	20.5	10.0	15.0	25	-
11073229	M32x1.5	PG 29	42	26.5	11.0	22.0	25	-
11074029	M40x1.5	PG 29	42	28.0	11.0	23.0	10	-
11075036	M50x1.5	PG 36	53	34.0	11.0	26.0	10	-
11075042	M50x1.5	PG 42	60	40.0	11.0	28.0	10	-
11076348	M63x1.5	PG 48	65	45.0	11.0	29.0	10	-

11070712	PG 7	M12x1.5	15	7.5	8.0	12.0	100	-
11070716	PG 7	M16x1.5	20	7.5	8.0	12.0	100	-
11070912	PG 9	M12x1.5	19	10.5	8.0	12.0	100	-
11070916	PG 9	M16x1.5	20	10.5	8.0	12.0	100	-
11070920	PG 9	M20x1.5	24	10.5	8.0	12.0	100	-
11071116	PG 11	M16x1.5	22	13.5	8.0	12.0	100	-
11071120	PG 11	M20x1.5	24	13.5	8.0	12.0	100	-
11071316	PG 13.5	M16x1.5	24	15.0	9.0	12.0	100	-
11071320	PG 13.5	M20x1.5	24	15.0	9.0	12.0	100	-
11071325	PG 13.5	M25x1.5	30	15.0	9.0	12.5	100	-
11071620	PG 16	M20x1.5	27	17.5	10.0	12.0	100	-
11071625	PG 16	M25x1.5	30	17.5	10.0	12.5	50	-
11072125	PG 21	M25x1.5	33	22.5	11.0	12.5	50	-
11072132	PG 21	M32x1.5	37	22.5	11.0	14.5	50	-
11072932	PG 29	M32x1.5	42	30.5	11.0	14.5	50	-
11072940	PG 29	M40x1.5	45	30.5	11.0	14.5	50	-