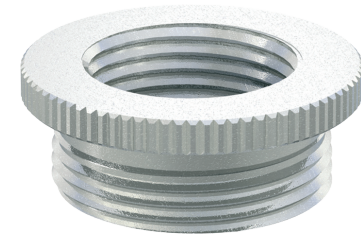


Material Messing, vernickelt

Schutzart Abhängig von der Kombination mit
weiteren Komponenten

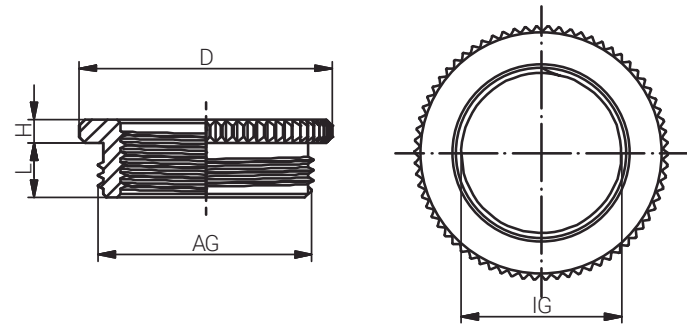
Material Nickel Plated Brass

Protection Class Depending on the combination with
further components



Zubehör
Accessories
REDUZIERUNG
GERÄNDELT / M x M
REDUCER KNURLED
M x M

Produktdokumentation
Product Documentation



RST Rabe-System-Technik und Vertriebs-GmbH
Otto-Lilienthal-Strasse 19
49134 Wallenhorst
DEUTSCHLAND
+49 5407 8766-0
+49 5407 8766-99
info@rst.eu
www.rst.eu

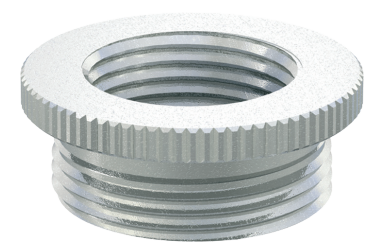
| Artikel Article | Gewinde Entry Thread | | D (mm) | L (mm) | H (mm) | VPE PU | Zulassungen Approvals |
|--------------------|-------------------------|-------------|-----------|-----------|-----------|-----------|--------------------------|
| | AG / Male | IG / Female | | | | | |
| 62081612 | M16x1.5 | M12x1.5 | 20.0 | 6.0 | 2.0 | 100 | - |
| 62082012 | M20x1.5 | M12x1.5 | 24.0 | 6.0 | 2.5 | 100 | - |
| 62082016 | M20x1.5 | M16x1.5 | 24.0 | 6.5 | 2.5 | 100 | - |
| 62082516 | M25x1.5 | M16x1.5 | 30.0 | 7.0 | 3.0 | 50 | - |
| 62082520 | M25x1.5 | M20x1.5 | 30.0 | 7.0 | 3.0 | 50 | - |
| 62083220 | M32x1.5 | M20x1.5 | 37.0 | 8.0 | 3.5 | 50 | - |
| 62083225 | M32x1.5 | M25x1.5 | 37.0 | 8.0 | 3.5 | 50 | - |
| 62084025 | M40x1.5 | M25x1.5 | 43.0 | 8.0 | 3.5 | 25 | - |
| 62084032 | M40x1.5 | M32x1.5 | 43.0 | 8.0 | 3.5 | 25 | - |
| 62085032 | M50x1.5 | M32x1.5 | 56.0 | 10.0 | 4.0 | 10 | - |
| 62085040 | M50x1.5 | M40x1.5 | 56.0 | 10.0 | 4.0 | 10 | - |
| 62086340 | M63x1.5 | M40x1.5 | 66.0 | 10.0 | 4.0 | 10 | - |
| 62086350 | M63x1.5 | M50x1.5 | 66.0 | 10.0 | 4.0 | 10 | - |

Material Messing, vernickelt

Schutzart Abhängig von der Kombination mit
weiteren Komponenten

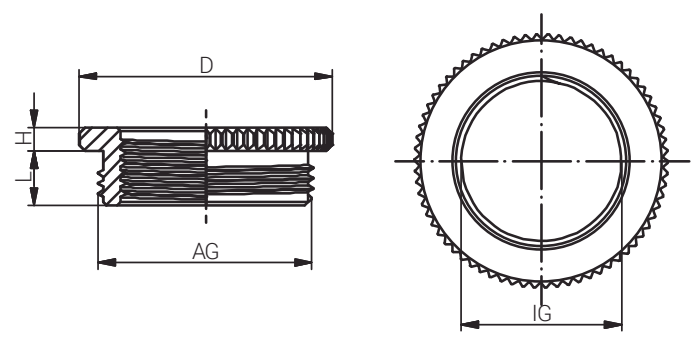
Material Nickel Plated Brass

Protection Class Depending on the combination with
further components



Zubehör
Accessories
REDUZIERUNG
GERÄNDELT / PG x PG
REDUCER KNURLED
PG x PG

Produktdokumentation
Product Documentation



RST Rabe-System-Technik und Vertriebs-GmbH
Otto-Lilienthal-Strasse 19
49134 Wallenhorst
DEUTSCHLAND
+49 5407 8766-0
+49 5407 8766-99
info@rst.eu
www.rst.eu

| Artikel Article | Gewinde Entry Thread | | D (mm) | L (mm) | H (mm) | VPE PU | Zulassungen Approvals |
|--------------------|-------------------------|-------------|-----------|-----------|-----------|-----------|--------------------------|
| | AG / Male | IG / Female | | | | | |
| 62060907 | PG 9 | PG 7 | 17.0 | 6.0 | 2.5 | 100 | - |
| 62061107 | PG 11 | PG 7 | 20.0 | 6.0 | 2.5 | 100 | - |
| 62061109 | PG 11 | PG 9 | 20.0 | 6.0 | 2.5 | 100 | - |
| 62061307 | PG 13.5 | PG 7 | 22.0 | 6.5 | 2.5 | 100 | - |
| 62061309 | PG 13.5 | PG 9 | 22.0 | 6.5 | 2.5 | 100 | - |
| 62061311 | PG 13.5 | PG 11 | 22.0 | 6.5 | 2.5 | 100 | - |
| 62061607 | PG 16 | PG 7 | 24.0 | 6.5 | 3.0 | 100 | - |
| 62061609 | PG 16 | PG 9 | 24.0 | 6.5 | 3.0 | 100 | - |
| 62061611 | PG 16 | PG 11 | 24.0 | 6.5 | 3.0 | 100 | - |
| 62061613 | PG 16 | PG 13.5 | 24.0 | 6.5 | 3.0 | 100 | - |
| 62062111 | PG 21 | PG 11 | 30.0 | 7.0 | 3.0 | 50 | - |
| 62062113 | PG 21 | PG 13.5 | 30.0 | 7.0 | 3.0 | 50 | - |
| 62062116 | PG 21 | PG 16 | 30.0 | 7.0 | 3.0 | 50 | - |
| 62062916 | PG 29 | PG 16 | 39.0 | 8.0 | 3.5 | 50 | - |
| 62062921 | PG 29 | PG 21 | 39.0 | 8.0 | 3.5 | 50 | - |
| 62063621 | PG 36 | PG 21 | 50.0 | 9.0 | 3.5 | 25 | - |
| 62063629 | PG 36 | PG 29 | 50.0 | 9.0 | 3.5 | 25 | - |
| 62064229 | PG 42 | PG 29 | 57.0 | 10.0 | 4.0 | 10 | - |
| 62064236 | PG 42 | PG 36 | 57.0 | 10.0 | 4.0 | 10 | - |
| 62064836 | PG 48 | PG 36 | 64.0 | 10.0 | 4.0 | 10 | - |
| 62064842 | PG 48 | PG 42 | 64.0 | 10.0 | 4.0 | 10 | - |