

Material Messing, vernickelt

Schutzart Abhängig von der Kombination mit
weiteren Komponenten

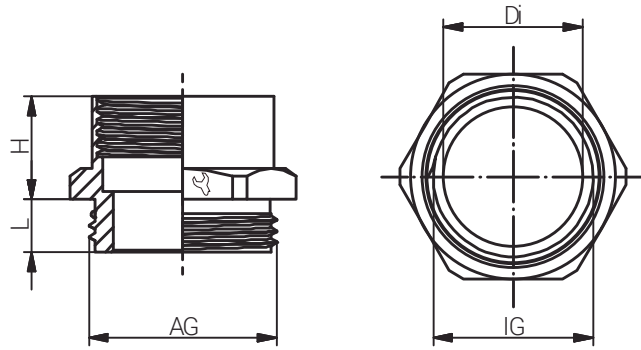
Material Nickel Plated Brass

Protection Class Depending on the combination with
further components




Zubehör
Accessories
ADAPTER SECHSKANT
M x PG / PG x M
ADAPTER HEXAGON
M x PG / PG x M

Produktdokumentation
Product Documentation



RST Rabe-System-Technik und Vertriebs-GmbH
Otto-Lilienthal-Strasse 19
49134 Wallenhorst
DEUTSCHLAND

+49 5407 8766-0
+49 5407 8766-99
info@rst.eu
www.rst.eu

Artikel Article	Gewinde Entry Thread			Di (mm)	L (mm)	H (mm)	VPE PU	Zulassungen Approvals
	AG / Male	IG / Female						
61091207	M12x1.5	PG 7	14	8.0	5.0	10.0	100	-
61091609	M16x1.5	PG 9	18	12.0	5.0	11.5	100	-
61091611	M16x1.5	PG 11	20	12.5	5.0	11.0	100	-
61092011	M20x1.5	PG 11	22	15.0	6.0	11.0	100	-
61092013	M20x1.5	PG 13.5	22	15.0	6.0	12.5	100	-
61092016	M20x1.5	PG 16	24	15.0	6.0	13.5	50	-
61092521	M25x1.5	PG 21	30	20.0	7.0	15.0	50	-
61093229	M32x1.5	PG 29	40	26.0	8.0	16.5	25	-
61094036	M40x1.5	PG 36	50	34.0	9.0	19.5	25	-
61095042	M50x1.5	PG 42	57	44.0	10.0	22.0	5	-
61096348	M63x1.5	PG 48	66	54.0	10.0	23.0	5	-

61070712	PG 7	M12x1.5	14	9.0	5.0	10.0	100	-
61070916	PG 9	M16x1.5	19	12.2	6.0	10.0	100	-
61071116	PG 11	M16x1.5	22	13.0	6.0	10.0	100	-
61071320	PG 13.5	M20x1.5	24	16.0	6.5	11.0	100	-
61071620	PG 16	M20x1.5	27	18.5	6.5	11.0	100	-
61071625	PG 16	M25x1.5	30	18.5	6.5	12.0	100	-
61072125	PG 21	M25x1.5	32	23.0	7.0	12.0	100	-
61072132	PG 21	M32x1.5	36	23.0	7.0	13.0	100	-
61072940	PG 29	M40x1.5	43	32.0	8.0	13.0	50	-
61073650	PG 36	M50x1.5	55	42.0	9.0	14.0	25	-
61074263	PG 42	M63x1.5	65	48.0	10.0	15.0	10	-