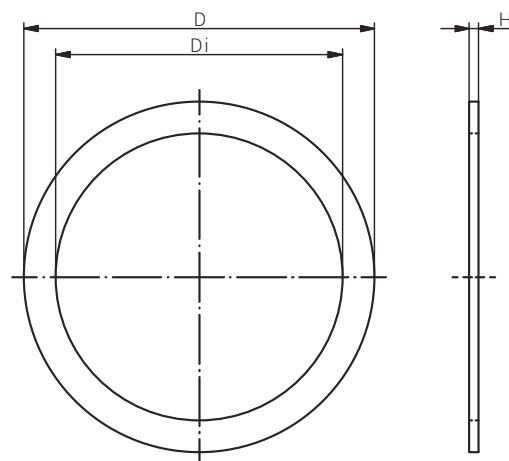
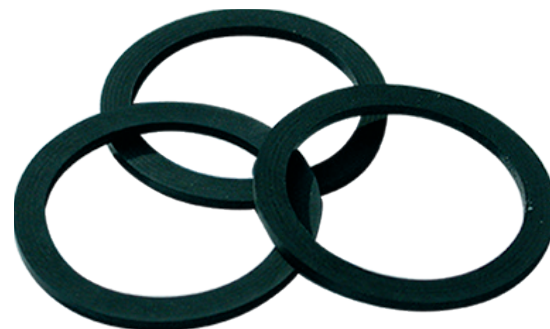


Material Chloropren
Einsatztemperatur -40°C bis +100°C

Material Chloroprene
Operating Temperature -40°C to +100°C



Zubehör

Accessories

FLACHDICHTUNG

FLAT SEALING WASHER

Produktdokumentation
Product Documentation



RST Rabe-System-Technik und Vertriebs-GmbH
Otto-Lilienthal-Strasse 19
49134 Wallenhorst

DEUTSCHLAND

+49 5407 8766-0
+49 5407 8766-99
info@rst.eu
www.rst.eu

Artikel Article	Größe Size	D (mm)	Di (mm)	H (mm)	VPE PU	Zulassungen Approvals
00221049	M10	15.0	9.0	1.2	100	-
00221249	M12	18.0	11.0	1.2	20	-
00221649	M16	22.0	15.0	1.2	20	-
00222049	M20	24.0	19.0	1.2	50	-
00222549	M25	30.0	24.0	1.5	50	-
00223249	M32	42.0	31.0	1.5	10	-
00224049	M40	52.0	38.5	1.5	20	-
00225049	M50	63.0	49.0	1.5	20	-
00226349	M63	77.0	62.0	2.0	10	-
00227549	M75	90.0	73.0	2.0	10	-
00228049	M80	102.0	78.0	2.0	10	-
00229049	M90	106.0	88.0	2.0	10	-
00229949	M100	116.0	98.0	2.0	10	-
00221149	M110	126.0	108.0	2.0	10	-

00229014	NPT 1/4"	20.0	14.0	1.5	lose / loose	-
00229038	NPT 3/8"	22.0	17.5	1.5	lose / loose	-
00229012	NPT 1/2"	27.0	21.9	1.5	lose / loose	-
00229034	NPT 3/4"	33.0	27.2	1.5	lose / loose	-
00229010	NPT 1"	41.0	34.0	1.5	lose / loose	-
00229114	NPT 1 1/4"	52.0	42.8	1.5	lose / loose	-
00229112	NPT 1 1/2"	57.0	48.9	1.5	lose / loose	-
00229020	NPT 2"	71.0	61.0	2.0	lose / loose	-
00229212	NPT 2 1/2"	85.0	74.0	2.0	lose / loose	-
00229300	NPT 3"	104.0	89.8	2.0	lose / loose	-
00229312	NPT 3 1/2"	120.0	102.5	2.0	lose / loose	-
00229414	NPT 4"	130.0	115.5	2.0	lose / loose	-