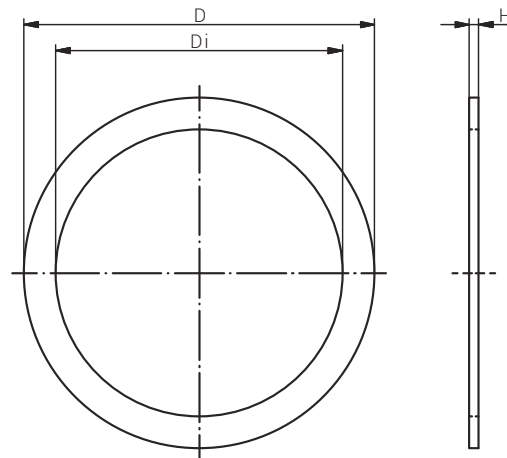


Material Fiber  
Einsatztemperatur -190°C bis +400°C

Material Fiber  
Operating Temperature -190°C to +400°C



Zubehör  
*Accessories*  
FLACHDICHTUNG  
*FLAT SEALING WASHER*

Produktdokumentation  
*Product Documentation*



RST Rabe-System-Technik und Vertriebs-GmbH  
Otto-Lilienthal-Strasse 19  
49134 Wallenhorst  
DEUTSCHLAND

+49 5407 8766-0  
+49 5407 8766-99  
info@rst.eu  
www.rst.eu

Artikel Article	Größe Size	D (mm)	Di (mm)	H (mm)	VPE PU	Zulassungen Approvals
00221245	M12	18.0	12.0	1.5	lose / loose	-
00221645	M16	22.0	16.0	1.5	lose / loose	-
00222045	M20	27.0	20.0	1.5	lose / loose	-
00222545	M25	35.0	25.0	1.5	lose / loose	-
00223245	M32	43.0	32.0	1.5	lose / loose	-
00224045	M40	55.0	40.0	1.5	lose / loose	-
00225045	M50	69.0	50.0	1.5	lose / loose	-
00226345	M63	82.0	63.0	2.0	lose / loose	-
00227545	M75	94.0	75.0	2.0	lose / loose	-
00229045	M90	110.0	90.0	2.0	lose / loose	-
00221145	M110	130.0	110.0	2.0	lose / loose	-

00239038	NPT 3/8"	22.0	17.4	1.5	lose / loose	-
00239012	NPT 1/2"	31.0	21.9	1.5	lose / loose	-
00239034	NPT 3/4"	35.0	27.3	1.5	lose / loose	-
00239010	NPT 1"	43.0	34.1	1.5	lose / loose	-
00239114	NPT 1 1/4"	59.0	42.9	1.5	lose / loose	-
00239112	NPT 1 1/2"	69.0	49.0	1.5	lose / loose	-
00239020	NPT 2"	79.0	61.0	2.0	lose / loose	-
00239212	NPT 2 1/2"	94.0	74.1	2.0	lose / loose	-
00239300	NPT 3"	110.0	89.9	2.0	lose / loose	-
00239312	NPT 3 1/2"	119.0	102.6	2.0	lose / loose	-
00239414	NPT 4"	130.0	115.3	2.0	lose / loose	-