

Material

Edelstahl 1.4404

Material

Stainless Steel 316L



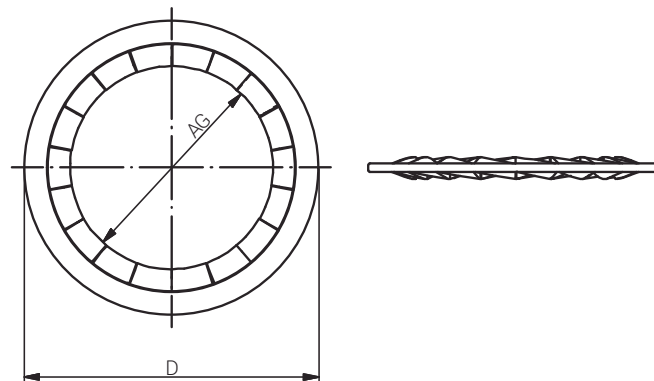
Zubehör

Accessories

VIBRATIONS-DRUCK-
RING

SERRATED WASHER

Produktdokumentation
Product Documentation



RST Rabe-System-Technik und Vertriebs-GmbH
Otto-Lilienthal-Strasse 19
49134 Wallenhorst

DEUTSCHLAND

+49 5407 8766-0

+49 5407 8766-99

info@rst.eu

www.rst.eu

Artikel Article	Größe Size	D (mm)	VPE PU	Zulassungen Approvals
01280069	M16	25.5	lose / loose	-
01280029	M20	32.4	lose / loose	-
01280259	M25	37.4	lose / loose	-
01280329	M32	48.0	lose / loose	-
01280409	M40	60.0	lose / loose	-
01280509	M50	71.0	lose / loose	-
01280639	M63	87.0	lose / loose	-
01280759	M75	102.0	lose / loose	-
01280809	M80	120.0	lose / loose	-
01280859	M85	120.0	lose / loose	-
01280099	M90	125.0	lose / loose	-
01280109	M100	140.0	lose / loose	-
ACSSW050	NPT 1/2"	35.4	lose / loose	-
ACSSW075	NPT 3/4"	43.4	lose / loose	-
ACSSW100	NPT 1"	52.0	lose / loose	-
ACSSW125	NPT 1 1/4"	59.5	lose / loose	-
ACSSW150	NPT 1 1/2"	71.0	lose / loose	-
ACSSW200	NPT 2"	87.0	lose / loose	-
ACSSW250	NPT 2 1/2"	102.0	lose / loose	-
ACSSW300	NPT 3"	125.0	lose / loose	-
ACSSW350	NPT 3 1/2"	140.0	lose / loose	-
ACSSW400	NPT 4"	155.0	lose / loose	-