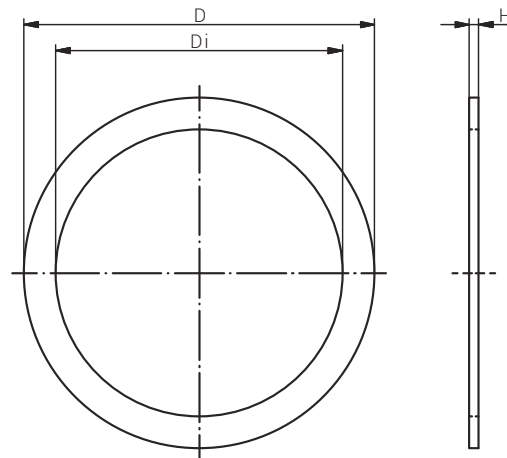


Material Polyethylen
Einsatztemperatur -30°C bis +90°C

Material Polyethylene
Operating Temperature -30°C to +90°C



Zubehör
Accessories
FLACHDICHTUNG
FLAT SEALING WASHER

Produktdokumentation
Product Documentation



RST Rabe-System-Technik und Vertriebs-GmbH
Otto-Lilienthal-Strasse 19
49134 Wallenhorst
DEUTSCHLAND

+49 5407 8766-0
+49 5407 8766-99
info@rst.eu
www.rst.eu

| Artikelnummer RST Article Code RST | Größe Size | D (mm) | Di (mm) | H (mm) | VPE * PU * | Zulassungen Approvals |
|---------------------------------------|---------------|-----------|------------|-----------|---------------|--------------------------|
| 08501512 | M12 | 16.0 | 12.0 | 2.0 | lose / loose | - |
| 08501516 | M16 | 20.0 | 16.0 | 2.0 | lose / loose | - |
| 08501520 | M20 | 24.0 | 20.0 | 2.0 | lose / loose | - |
| 08501525 | M25 | 29.0 | 25.0 | 2.0 | lose / loose | - |
| 08501532 | M32 | 36.0 | 32.0 | 2.0 | lose / loose | - |
| 08501540 | M40 | 45.0 | 40.0 | 2.0 | lose / loose | - |
| 08501550 | M50 | 56.0 | 50.0 | 2.0 | lose / loose | - |
| 08501563 | M63 | 70.0 | 63.0 | 2.0 | lose / loose | - |
| 08501407 | PG 7 | 16.5 | 12.5 | 2.0 | lose / loose | - |
| 08501409 | PG 9 | 19.0 | 15.2 | 2.0 | lose / loose | - |
| 08501411 | PG 11 | 22.5 | 18.6 | 2.0 | lose / loose | - |
| 08501413 | PG 13.5 | 25.0 | 20.4 | 2.0 | lose / loose | - |
| 08501416 | PG 16 | 27.0 | 22.5 | 2.0 | lose / loose | - |
| 08501421 | PG 21 | 33.5 | 28.3 | 3.0 | lose / loose | - |
| 08501429 | PG 29 | 43.5 | 37.0 | 3.0 | lose / loose | - |
| 08501436 | PG 36 | 55.0 | 47.0 | 3.0 | lose / loose | - |
| 08501442 | PG 42 | 63.0 | 54.0 | 3.0 | lose / loose | - |
| 08501448 | PG 48 | 69.0 | 59.3 | 3.0 | lose / loose | - |

* Mindestbestellmenge (MOQ) kann größer sein als Verpackungseinheit (VPE). / * *Minimum order quantity (MOQ) can be larger than packaging unit (PU).*