

Material      Messing, blank; Messing, vernickelt;  
Edelstahl 1.4404 (Weitere auf Anfrage)

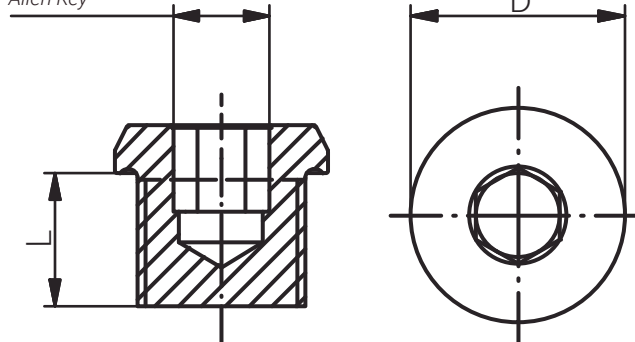
Schutzart      IP68

Material      Natural Brass; Nickel Plated Brass;  
Stainless Steel 316L (Further on Request)

Protection Class      IP68



Innensechskant /  
Allen Key



Zubehör

Accessories

VERSCHLUSSSCHRAUBE

INNENSECHSKANT / M / NPT

PLUG ALLEN SCREW

M / NPT

Produktdokumentation

Product Documentation



RST Rabe-System-Technik und Vertriebs-GmbH  
Otto-Lilienthal-Strasse 19  
49134 Wallenhorst


DEUTSCHLAND

+49 5407 8766-0

+49 5407 8766-99

info@rst.eu

www.rst.eu

| Artikelnummer<br>Herstellernummer<br>Article Code<br>Manufacturer Code | Artikelnummer<br>Herstellernummer<br>Article Code<br>Manufacturer Code | Artikelnummer<br>Herstellernummer<br>Article Code<br>Manufacturer Code | Hersteller<br>Manufacturer  | Gewinde<br>Entry Thread | Innensechskant<br>Allen Key<br>(mm) | D<br>(mm) | L<br>(mm) | VPE<br>PU | Zulassungen<br>Approvals                            |
|--|--|--|---|-------------------------|-------------------------------------|-----------|-----------|-----------|---|
| Messing<br>Brass   | Messing, vern.<br>NP Brass   | Edelstahl<br>Stainless Steel   |   |                         |                                     |           |           |           |   |
| CQA1100Y   | CQA1100YXN   | CQE1100Y   |  | M16x1.5                 | 6                                   | 20.0      | 15.0      | 1         | ATEX / IECEX / EAC / cCSAus / INMETRO / NESPI / CCC |
| CQA1200Y   | CQA1200YXN   | CQE1200Y   |   | M20x1.5                 | 10                                  | 25.0      | 15.0      | 1         | ATEX / IECEX / EAC / cCSAus / INMETRO / NESPI / CCC |
| CQA1300Y   | CQA1300YXN   | CQE1300Y   |   | M25x1.5                 | 10                                  | 30.0      | 15.0      | 1         | ATEX / IECEX / EAC / cCSAus / INMETRO / NESPI / CCC |
| CQA1400Y   | CQA1400YXN   | CQE1400Y   |   | M32x1.5                 | 10                                  | 38.0      | 15.0      | 1         | ATEX / IECEX / EAC / cCSAus / INMETRO / NESPI / CCC |
| CQA1500Y   | CQA1500YXN   | CQE1500Y   |   | M40x1.5                 | 19                                  | 46.0      | 15.0      | 1         | ATEX / IECEX / EAC / cCSAus / INMETRO / NESPI / CCC |
| CQA1600Y   | CQA1600YXN   | CQE1600Y   |   | M50x1.5                 | 19                                  | 57.0      | 15.0      | 1         | ATEX / IECEX / EAC / cCSAus / INMETRO / NESPI / CCC |
| CQA1700Y   | CQA1700YXN   | CQE1700Y   |   | M63x1.5                 | 19                                  | 70.0      | 15.0      | 1         | ATEX / IECEX / EAC / cCSAus / INMETRO / NESPI / CCC |

|          |            |          |   |            |    |      |      |   |   |
|----------|------------|----------|---|------------|----|------|------|---|---|
| CQA4200Y | CQA4200YXN | CQE4200Y |  | NPT 1/2"   | 10 | 27.0 | 20.2 | 1 | ATEX / IECEX / EAC / cCSAus / INMETRO / NESPI / CCC |
| CQA4300Y | CQA4300YXN | CQE4300Y |   | NPT 3/4"   | 10 | 32.0 | 20.5 | 1 | ATEX / IECEX / EAC / cCSAus / INMETRO / NESPI / CCC |
| CQA4400Y | CQA4400YXN | CQE4400Y |   | NPT 1"     | 10 | 40.0 | 25.3 | 1 | ATEX / IECEX / EAC / cCSAus / INMETRO / NESPI / CCC |
| CQA4500Y | CQA4500YXN | CQE4500Y |   | NPT 1 1/4" | 19 | 50.0 | 26.0 | 1 | ATEX / IECEX / EAC / cCSAus / INMETRO / NESPI / CCC |
| CQA4600Y | CQA4600YXN | CQE4600Y |   | NPT 1 1/2" | 19 | 54.0 | 26.5 | 1 | ATEX / IECEX / EAC / cCSAus / INMETRO / NESPI / CCC |
| CQA4700Y | CQA4700YXN | CQE4700Y |   | NPT 2"     | 19 | 67.0 | 27.2 | 1 | ATEX / IECEX / EAC / cCSAus / INMETRO / NESPI / CCC |
| CQA4800Y | CQA4800YXN | CQE4800Y |   | NPT 2 1/2" | 19 | 83.0 | 40.5 | 1 | ATEX / IECEX / EAC / cCSAus / INMETRO / NESPI / CCC |

Weitere Gewindetypen auf Anfrage. / Further threadforms on request.  
 Weitere Produkte des Herstellers auf Anfrage. / Further products of the manufacturer on request.