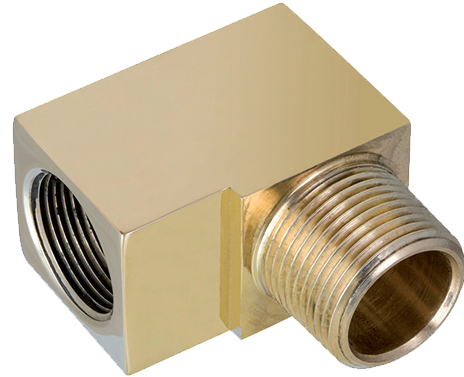


Material  
Messing, blank; Messing, vernickelt;  
Edelstahl 1.4404 (Weitere auf Anfrage)

Schutzart  
IP66 / IP68

Material  
Natural Brass; Nickel Plated Brass;  
Stainless Steel 316L (Further on Request)

Protection Class  
IP66 / IP68

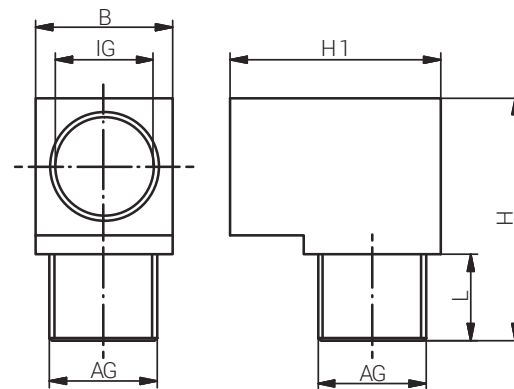


Zubehör

Accessories

ADAPTER 90° / M x M

ADAPTER 90° / M x M



Produktdokumentation  
Product Documentation



RST Rabe-System-Technik und Vertriebs-GmbH  
Otto-Lilienthal-Strasse 19  
49134 Wallenhorst  
DEUTSCHLAND

+49 5407 8766-0  
+49 5407 8766-99  
info@rst.eu  
www.rst.eu

Artikelnummer Herstellernummer Article Code Manufacturer Code	Artikelnummer Herstellernummer Article Code Manufacturer Code	Hersteller Manufacturer	Gewinde Entry Thread		B (mm)	L (mm)	H (mm)	H1 (mm)	VPE PU	Zulassungen Approvals
			AG / Male	IG / Female						
FGA1111YXN	FGE1111Y		M16x1.5	M16x1.5	25.0	17.0	45.0	40.0	1	ATEX / IECEX / EAC / INMETRO
FGA1212YXN	FGE1212Y		M20x1.5	M20x1.5	30.0	17.0	51.0	45.0	1	ATEX / IECEX / EAC / INMETRO
FGA1312YXN	FGE1312Y		M25x1.5	M20x1.5	35.0	17.0	57.0	50.0	1	ATEX / IECEX / EAC / INMETRO
FGA1313YXN	FGE1313Y		M25x1.5	M25x1.5	35.0	17.0	57.0	50.0	1	ATEX / IECEX / EAC / INMETRO
FGA1413YXN	FGE1413Y		M32x1.5	M25x1.5	42.0	17.0	66.0	57.0	1	ATEX / IECEX / EAC / INMETRO
FGA1414YXN	FGE1414Y		M32x1.5	M32x1.5	42.0	17.0	66.0	57.0	1	ATEX / IECEX / EAC / INMETRO
FGA1515YXN	FGE1515Y		M40x1.5	M40x1.5	50.0	17.0	75.0	65.0	1	ATEX / IECEX / EAC / INMETRO
FGA1615YXN	FGE1615Y		M50x1.5	M40x1.5	60.0	17.0	86.0	75.0	1	ATEX / IECEX / EAC / INMETRO
FGA1616YXN	FGE1616Y		M50x1.5	M50x1.5	60.0	17.0	86.0	75.0	1	ATEX / IECEX / EAC / INMETRO
FGA1716YXN	FGE1716Y		M63x1.5	M50x1.5	75.0	17.0	101.5	90.0	1	ATEX / IECEX / EAC / INMETRO
FGA1717YXN	FGE1717Y		M63x1.5	M63x1.5	75.0	17.0	101.5	90.0	1	ATEX / IECEX / EAC / INMETRO
FGA1818YXN	FGE1818Y		M75x1.5	M75x1.5	90.0	17.0	119.0	105.0	1	ATEX / IECEX / EAC / INMETRO

Weitere Größen/Gewindekombinationen auf Anfrage. / Further sizes/thread combination on request.  
 Weitere Produkte des Herstellers auf Anfrage. / Further products of the manufacturer on request.