

Material
Messing, blank; Messing, vernickelt;
Edelstahl 1.4404 (Weitere auf Anfrage)

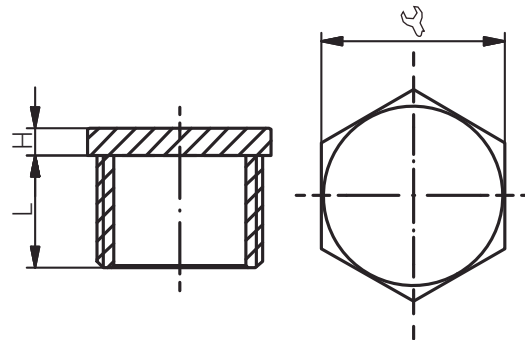
Schutzart
IP66 / IP68 (Montageanleitung berücksichtigen)

Material
Natural Brass; Nickel Plated Brass;
Stainless Steel 316L (Further on Request)

Protection Class
IP66 / IP68 (Consider mounting instruction)

Für besondere Bedingungen oder Einschränkungen siehe entsprechende Produktdokumentation.

For specific conditions or limitations please see relevant product documentation.



Zubehör

Accessories

VERSCHLUSSSCHRAUBE

AUSSENSECHSKANT / M /

NPT

PLUG HEXAGON / M / NPT

Produktdokumentation

Product Documentation



RST Rabe-System-Technik und Vertriebs-GmbH

Otto-Lilienthal-Strasse 19

49134 Wallenhorst



DEUTSCHLAND


+49 5407 8766-0

+49 5407 8766-99

info@rst.eu

www.rst.eu

Artikelnummer RST Article Code RST	Hersteller- nummer Manufacturer Code	Artikel- nummer RST Article Code RST	Hersteller- nummer Manufacturer Code	Hersteller Manufacturer	Gewinde Entry Thread		L (mm)	H (mm)	VPE * PU *	Zulassungen Approvals
Messing, vern. NP Brass	Messing, vern. NP Brass	Edelstahl Stainless Steel	Edelstahl Stainless Steel							
RX190124	CYA0400YXN	RX190129	CYE0400Y		M12x1.5	14.0	15.0	3.5	lose / loose	ATEX/IECEX/EAC/NEPSI/CCC/UKEX
RX190164	CYA1100YXN	RX190169	CYE1100Y		M16x1.5	19.0	15.0	4.0	lose / loose	ATEX/IECEX/EAC/NEPSI/INMETRO/CCC/UKEX
RX190204	CYA1200YXN	RX190209	CYE1200Y		M20x1.5	24.0	15.0	4.0	lose / loose	ATEX/IECEX/EAC/cCSAus/INMETRO/NEPSI/CCC/UKEX
RX190254	CYA1300YXN	RX190259	CYE1300Y		M25x1.5	28.0	15.0	4.0	lose / loose	ATEX/IECEX/EAC/cCSAus/INMETRO/NEPSI/CCC/UKEX
RX190324	CYA1400YXN	RX190329	CYE1400Y		M32x1.5	37.5	15.0	4.0	lose / loose	ATEX/IECEX/EAC/cCSAus/INMETRO/NEPSI/CCC/UKEX
RX190404	CYA1500YXN	RX190409	CYE1500Y		M40x1.5	47.0	15.0	5.0	lose / loose	ATEX/IECEX/EAC/cCSAus/INMETRO/NEPSI/CCC/UKEX
RX190504	CYA1600YXN	RX190509	CYE1600Y		M50x1.5	56.0	15.0	6.0	lose / loose	ATEX/IECEX/EAC/cCSAus/INMETRO/NEPSI/CCC/UKEX
RX190634	CYA1700YXN	RX190639	CYE1700Y		M63x1.5	70.0	15.0	7.0	lose / loose	ATEX/IECEX/EAC/cCSAus/INMETRO/NEPSI/CCC/UKEX
RX190754	CYA1800YXN	RX190759	CYE1800Y		M75x1.5	80.0	15.0	8.0	lose / loose	ATEX/IECEX/EAC/cCSAus/INMETRO/NEPSI/CCC/UKEX
RX190804	CYA8000YXN	RX190809	CYE8000Y		M80x2.0	90.0	20.0	9.0	lose / loose	ATEX/IECEX/EAC/cCSAus/INMETRO/NEPSI/CCC/UKEX
RX199904	CYA8100YXN	RX199909	CYE8100Y		M90x2.0	95.0	20.0	10.0	lose / loose	ATEX/IECEX/EAC/cCSAus/INMETRO/NEPSI/CCC/UKEX
RX191004	CYA8200YXN	RX191009	CYE8200Y		M100x2.0	105.0	20.0	11.0	lose / loose	ATEX/IECEX/EAC/cCSAus/INMETRO/NEPSI/CCC/UKEX

RX190194	CYA4000YXN	RX190199	CYE4000Y		NPT 1/4"	16.0	15.5	4.0	lose / loose	ATEX/IECEX/EAC/cCSAus/INMETRO/NEPSI/CCC/UKEX
RX190294	CYA4100YXN	RX190299	CYE4100Y		NPT 3/8"	19.0	15.5	4.0	lose / loose	ATEX/IECEX/EAC/cCSAus/INMETRO/NEPSI/CCC/UKEX
RX190394	CYA4200YXN	RX190399	CYE4200Y		NPT 1/2"	23.4	20.2	4.0	lose / loose	ATEX/IECEX/EAC/cCSAus/INMETRO/NEPSI/CCC/UKEX
RX190494	CYA4300YXN	RX190499	CYE4300Y		NPT 3/4"	27.9	20.5	4.0	lose / loose	ATEX/IECEX/EAC/cCSAus/INMETRO/NEPSI/CCC/UKEX
RX190594	CYA4400YXN	RX190599	CYE4400Y		NPT 1"	37.6	25.3	4.0	lose / loose	ATEX/IECEX/EAC/cCSAus/INMETRO/NEPSI/CCC/UKEX
RX190694	CYA4500YXN	RX190699	CYE4500Y		NPT 1 1/4"	47.2	26.0	4.5	lose / loose	ATEX/IECEX/EAC/cCSAus/INMETRO/NEPSI/CCC/UKEX
RX190794	CYA4600YXN	RX190799	CYE4600Y		NPT 1 1/2"	56.0	26.5	5.5	lose / loose	ATEX/IECEX/EAC/cCSAus/INMETRO/NEPSI/CCC/UKEX
RX190894	CYA4700YXN	RX190899	CYE4700Y		NPT 2"	70.0	27.2	7.0	lose / loose	ATEX/IECEX/EAC/cCSAus/INMETRO/NEPSI/CCC/UKEX
RX190994	CYA4800YXN	RX190999	CYE4800Y		NPT 2 1/2"	80.0	40.5	8.0	lose / loose	ATEX/IECEX/EAC/cCSAus/INMETRO/NEPSI/CCC/UKEX
RX191094	CYA4900YXN	RX191099	CYE4900Y		NPT 3"	95.0	42.0	10.0	lose / loose	ATEX/IECEX/EAC/cCSAus/INMETRO/NEPSI/CCC/UKEX
RX191194	CYA8600YXN	RX191199	CYE8600Y		NPT 3 1/2"	105.0	43.2	11.0	lose / loose	ATEX/IECEX/EAC/cCSAus/INMETRO/NEPSI/CCC/UKEX
RX191294	CYA8700YXN	RX191299	CYE8700Y		NPT 4"	120.0	44.5	12.0	lose / loose	ATEX/IECEX/EAC/cCSAus/INMETRO/NEPSI/CCC/UKEX

Weitere Gewindetypen auf Anfrage. / Further threadforms on request.
 Weitere Produkte des Herstellers auf Anfrage. / Further products of the manufacturer on request.

* Mindestbestellmenge (MOQ) kann größer sein als Verpackungseinheit (VPE). / * Minimum order quantity (MOQ) can be larger than packaging unit (PU).