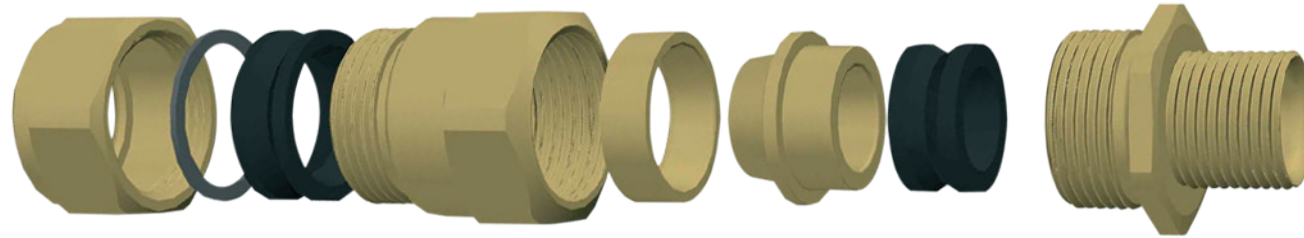
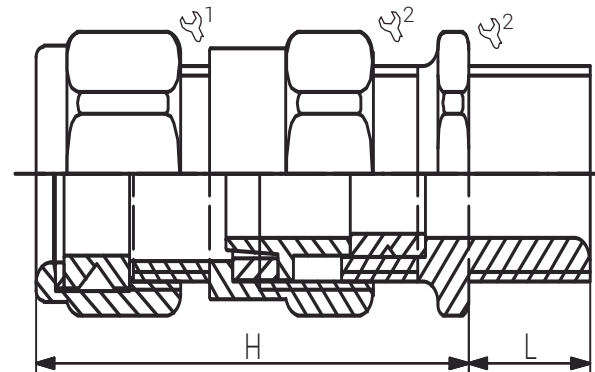


Material Messing, blank
 Dichteinsatz Chloropren (Silikon auf Anfrage)
 Einsatztemperatur -35°C bis +90°C
 (Silikon: -60°C bis +180°C)
 Schutzart IP66 / IP68
 Schutzart gem. UL50E 4X

Material Natural Brass
 Sealing Chloroprene (Silicone on Request)
 Operating Temperature -35°C to +90°C
 (Silicone: -60°C to +180°C)
 Protection Class IP66 / IP68
 Protection Class rel. UL50E 4X



Kabelverschraubungen Ex
 Ex Cable Glands
 E1WBF / M




Produktdokumentation
 Product Documentation



RST Rabe-System-Technik und Vertriebs-GmbH
 Otto-Lilienthal-Strasse 19
 49134 Wallenhorst
 DEUTSCHLAND

+49 5407 8766-0
 +49 5407 8766-99
 info@rst.eu
 www.rst.eu

Artikelnummer RST Article Code RST	Herstellernummer Manufacturer Code	Hersteller Manufacturer	Größe Size	Gewinde Entry Thread	Klemmbereich Kabelmantel aussen Clamping Range Outer Sheath (mm)		Klemmbereich Kabelmantel innen Clamping Range Inner Sheath (mm)		Klemmbereich Armierung Clamping Range Armour (mm)		 1/2	L (mm)	H (mm)	VPE PU	Zulassungen Approvals
					≥	≤	≥	≤	≥	≤					
77021120	E1WBF 16/M20	peppers	16	M20x1.5	8.4	13.5	3.5	8.4	0.90	0.90	24/24	16.0	58.0	lose/loose	cCSAus / ATEX / IECEx / EAC / INMETRO / CCC
77021121	E1WBF 20s/M20		20s	M20x1.5	12.9	16.0	8.0	11.7	0.90	1.25	24/24	16.0	58.0	lose/loose	cCSAus / ATEX / IECEx / EAC / INMETRO / CCC
77021122	E1WBF 20/M20		20	M20x1.5	15.5	21.1	6.7	14.0	0.90	1.25	30/30	16.0	58.0	lose/loose	cCSAus / ATEX / IECEx / EAC / INMETRO / CCC
77021125	E1WBF 25/M25		25	M25x1.5	20.3	27.4	13.0	20.0	1.25	1.60	38/38	16.0	58.0	lose/loose	cCSAus / ATEX / IECEx / EAC / INMETRO / CCC
77021132	E1WBF 32/M32		32	M32x1.5	26.7	34.0	19.0	26.3	1.60	2.00	46/46	16.0	65.0	lose/loose	cCSAus / ATEX / IECEx / EAC / INMETRO / CCC
77021140	E1WBF 40/M40		40	M40x1.5	33.0	40.6	25.0	32.2	1.60	2.00	55/55	16.0	72.0	lose/loose	cCSAus / ATEX / IECEx / EAC / INMETRO / CCC
77021150	E1WBF 50s/M50		50s	M50x1.5	39.4	46.7	31.5	38.2	2.00	2.50	65/65	16.0	73.0	lose/loose	cCSAus / ATEX / IECEx / EAC / INMETRO / CCC
77021151	E1WBF 50/M50		50	M50x1.5	45.7	53.2	36.5	44.1	2.00	2.50	65/65	16.0	73.0	lose/loose	cCSAus / ATEX / IECEx / EAC / INMETRO / CCC
77021163	E1WBF 63s/M63		63s	M63x1.5	52.1	59.5	42.5	50.1	2.50	2.50	80/80	19.0	76.0	lose/loose	cCSAus / ATEX / IECEx / EAC / INMETRO / CCC
77021164	E1WBF 63/M63		63	M63x1.5	58.4	65.8	49.5	56.0	2.50	2.50	80/80	19.0	76.0	lose/loose	cCSAus / ATEX / IECEx / EAC / INMETRO / CCC
77021175	E1WBF 75s/M75		75s	M75x1.5	64.8	72.2	54.5	62.0	2.50	2.50	90/90	19.0	82.0	lose/loose	cCSAus / ATEX / IECEx / EAC / INMETRO / CCC
77021176	E1WBF 75/M75		75	M75x1.5	71.1	78.0	60.5	68.0	2.50	2.50	90/90	19.0	82.0	lose/loose	cCSAus / ATEX / IECEx / EAC / INMETRO / CCC
77021180	E1WBF 80/M80		80	M80x2.0	77.0	84.0	62.2	72.0	3.15	3.15	105/104	25.0	110.0	lose/loose	cCSAus / ATEX / IECEx / EAC / INMETRO / CCC
77021181	E1WBF 80H/M80		80H	M80x2.0	79.6	90.0	62.2	72.0	3.15	3.15	105/104	25.0	110.0	lose/loose	cCSAus / ATEX / IECEx / EAC / INMETRO / CCC
77021185	E1WBF 85/M85		85	M85x2.0	79.6	90.0	69.0	78.0	3.15	3.15	105/104	25.0	110.0	lose/loose	cCSAus / ATEX / IECEx / EAC / INMETRO / CCC
77021190	E1WBF 90/M90		90	M90x2.0	88.0	96.0	74.0	84.0	3.15	3.15	114/114	25.0	110.0	lose/loose	cCSAus / ATEX / IECEx / EAC / INMETRO / CCC
77021191	E1WBF 90H/M90	90H	M90x2.0	92.0	102.0	74.0	84.0	3.15	3.15	114/114	25.0	110.0	lose/loose	cCSAus / ATEX / IECEx / EAC / INMETRO / CCC	
77021100	E1WBF 100/M100	100	M100x2.0	92.0	102.0	82.0	90.0	3.15	3.15	114/114	25.0	110.0	lose/loose	cCSAus / ATEX / IECEx / EAC / INMETRO / CCC	

Weitere Produkte des Herstellers auf Anfrage. / Further products of the manufacturer on request.

Nützlicher Hinweis zu Kabeldurchmesser & Klemmbereich

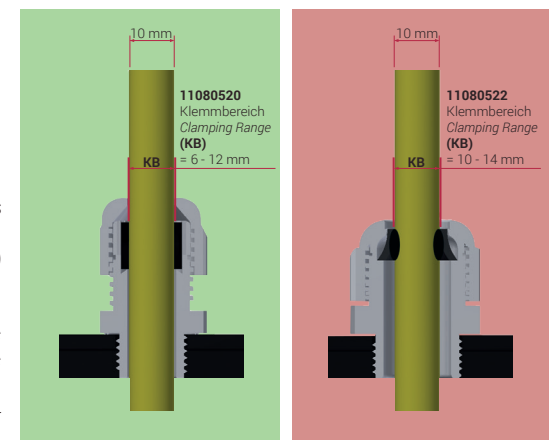
Useful Information about Cable Diameter & Clamping Range

Um die Abdichtung zwischen Kabel und Kabelverschraubung bestmöglich gewährleisten und die Belastung für beide Bauteile so gering wie möglich halten zu können, empfehlen wir die Kabelverschraubung bzw. den Klemmbereich der Kabelverschraubung so zu wählen, dass sich der Durchmesser des verwendeten Kabels im mittleren bis oberen Klemmbereich befindet.

Um diese Thematik zu verdeutlichen, werden auf den folgenden Bildern die zwei Euro-Top-Kabelverschraubungen 11080520 (6 bis 12 mm) und 11080522 (10 bis 14 mm) dargestellt, in denen jeweils ein Kabel mit einem Durchmesser von 10mm montiert ist.

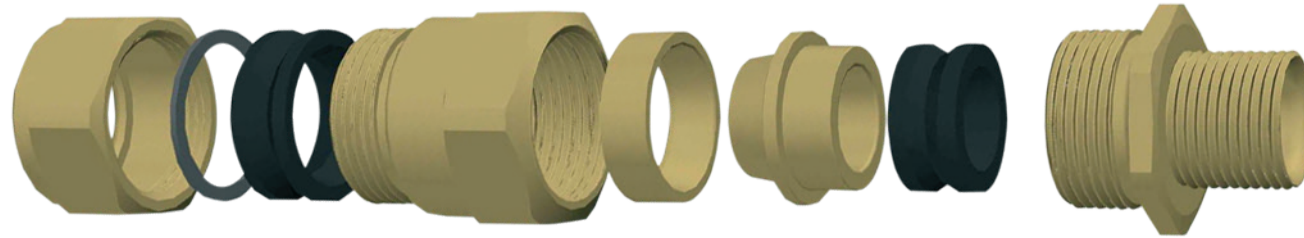
To ensure the best possible seal between the cable and the cable gland and to be able to keep the stress pressure on both components as low as possible, we recommend selecting the cable gland or the clamping range of the cable gland in such a way that the diameter of the cable used is in the middle to upper clamping range.

In order to explain this topic, the two Euro-Top cable glands 11080520 (6 to 12 mm) and 11080522 (10 to 14 mm) are shown in the following pictures, in each of which a cable with a diameter of 10 mm is mounted.

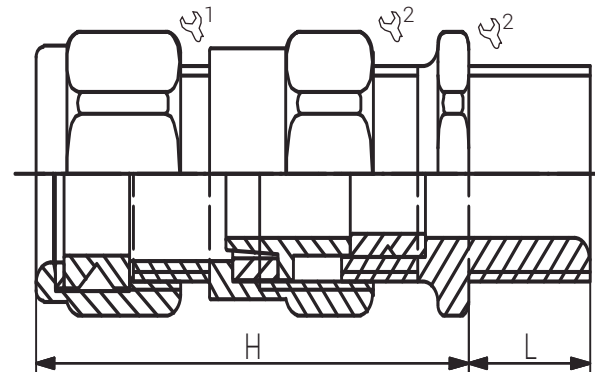


Material Messing, blank
 Dichteinsatz Chloropren (Silikon auf Anfrage)
 Einsatztemperatur -35°C bis +90°C
 (Silikon: -60°C bis +180°C)
 Schutzart IP66 / IP68
 Schutzart gem. UL50E 4X

Material Natural Brass
 Sealing Chloroprene (Silicone on Request)
 Operating Temperature -35°C to +90°C
 (Silicone: -60°C to +180°C)
 Protection Class IP66 / IP68
 Protection Class rel. UL50E 4X



Kabelverschraubungen Ex
 Ex Cable Glands
 E1WBF / NPT




Produktdokumentation
 Product Documentation



RST Rabe-System-Technik und Vertriebs-GmbH
 Otto-Lilienthal-Strasse 19
 49134 Wallenhorst
 DEUTSCHLAND

+49 5407 8766-0
 +49 5407 8766-99
 info@rst.eu
 www.rst.eu

Artikelnummer RST Article Code RST	Herstellernummer Manufacturer Code	Hersteller Manufacturer	Größe Size	Gewinde Entry Thread	Klemmbereich Kabelmantel aussen Clamping Range Outer Sheath (mm)		Klemmbereich Kabelmantel innen Clamping Range Inner Sheath (mm)		Klemmbereich Armierung Clamping Range Armour (mm)		 1/2	L (mm)	H (mm)	VPE PU	Zulassungen Approvals
					≥	≤	≥	≤	≥	≤					
77021301	E1WBF 16/050NPT	peppers	16	NPT 1/2"	8.4	13.5	3.5	8.4	0.90	0.90	24/24	16.0	58.0	lose/loose	cCSAus / ATEX / IECEx / EAC / INMETRO / CCC
77021302	E1WBF 16/075NPT		16	NPT 3/4"	8.4	13.5	3.5	8.4	0.90	0.90	24/24	16.0	58.0	lose/loose	cCSAus / ATEX / IECEx / EAC / INMETRO / CCC
77021303	E1WBF 20s/050NPT		20s	NPT 1/2"	12.9	16.0	8.0	11.7	0.90	0.90	24/24	16.0	58.0	lose/loose	cCSAus / ATEX / IECEx / EAC / INMETRO / CCC
77021304	E1WBF 20s/075NPT		20s	NPT 3/4"	12.9	16.0	8.0	11.7	0.90	0.90	24/24	16.0	58.0	lose/loose	cCSAus / ATEX / IECEx / EAC / INMETRO / CCC
77021305	E1WBF 20/050NPT		20	NPT 1/2"	15.5	21.1	6.7	14.0	0.90	0.90	30/30	16.0	58.0	lose/loose	cCSAus / ATEX / IECEx / EAC / INMETRO / CCC
77021306	E1WBF 20/075NPT		20	NPT 3/4"	15.5	21.1	6.7	14.0	0.90	0.90	30/30	16.0	58.0	lose/loose	cCSAus / ATEX / IECEx / EAC / INMETRO / CCC
77021307	E1WBF 25/075NPT		25	NPT 3/4"	20.3	27.4	13.0	20.0	1.25	1.25	38/38	16.0	58.0	lose/loose	cCSAus / ATEX / IECEx / EAC / INMETRO / CCC
77021308	E1WBF 25/100NPT		25	NPT 1"	20.3	27.4	13.0	20.0	1.25	1.25	38/38	16.0	58.0	lose/loose	cCSAus / ATEX / IECEx / EAC / INMETRO / CCC
77021309	E1WBF 32/100NPT		32	NPT 1"	26.7	34.0	19.0	26.3	1.60	1.60	46/46	16.0	65.0	lose/loose	cCSAus / ATEX / IECEx / EAC / INMETRO / CCC
77021310	E1WBF 32/125NPT		32	NPT 1 1/4"	26.7	34.0	19.0	26.3	1.60	1.60	46/46	16.0	65.0	lose/loose	cCSAus / ATEX / IECEx / EAC / INMETRO / CCC
77021311	E1WBF 40/125NPT		40	NPT 1 1/4"	33.0	40.6	25.0	32.2	1.60	1.60	55/55	16.0	72.0	lose/loose	cCSAus / ATEX / IECEx / EAC / INMETRO / CCC
77021312	E1WBF 40/150NPT		40	NPT 1 1/2"	33.0	40.6	25.0	32.2	1.60	1.60	55/55	16.0	72.0	lose/loose	cCSAus / ATEX / IECEx / EAC / INMETRO / CCC
77021313	E1WBF 50s/150NPT		50s	NPT 1 1/2"	39.4	46.7	31.5	38.2	2.00	2.00	65/65	16.0	73.0	lose/loose	cCSAus / ATEX / IECEx / EAC / INMETRO / CCC
77021314	E1WBF 50s/200NPT		50s	NPT 2"	39.4	46.7	31.5	38.2	2.00	2.00	65/65	16.0	73.0	lose/loose	cCSAus / ATEX / IECEx / EAC / INMETRO / CCC
77021315	E1WBF 50/200NPT		50	NPT 2"	45.7	53.2	36.5	44.1	2.00	2.00	65/65	16.0	73.0	lose/loose	cCSAus / ATEX / IECEx / EAC / INMETRO / CCC
77021316	E1WBF 63s/200NPT		63s	NPT 2"	52.1	59.5	42.5	50.1	2.50	2.50	80/80	19.0	76.0	lose/loose	cCSAus / ATEX / IECEx / EAC / INMETRO / CCC
77021317	E1WBF 63s/250NPT		63s	NPT 2 1/2"	52.1	59.5	42.5	50.1	2.50	2.50	80/80	19.0	76.0	lose/loose	cCSAus / ATEX / IECEx / EAC / INMETRO / CCC
77021318	E1WBF 63/250NPT		63	NPT 2 1/2"	58.4	65.8	49.5	56.0	2.50	2.50	80/80	19.0	76.0	lose/loose	cCSAus / ATEX / IECEx / EAC / INMETRO / CCC
77021319	E1WBF 75s/250NPT		75s	NPT 2 1/2"	64.8	72.2	54.5	62.0	2.50	2.50	90/90	19.0	82.0	lose/loose	cCSAus / ATEX / IECEx / EAC / INMETRO / CCC
77021320	E1WBF 75s/300NPT		75s	NPT 3"	64.8	72.2	54.5	62.0	2.50	2.50	90/90	19.0	82.0	lose/loose	cCSAus / ATEX / IECEx / EAC / INMETRO / CCC
77021321	E1WBF 75/300NPT		75	NPT 3"	71.1	78.0	60.5	68.0	2.50	2.50	90/90	19.0	82.0	lose/loose	cCSAus / ATEX / IECEx / EAC / INMETRO / CCC
77021322	E1WBF 80/300NPT		80	NPT 3"	77.0	84.0	62.2	72.0	3.15	3.15	105/104	25.0	110.0	lose/loose	cCSAus / ATEX / IECEx / EAC / INMETRO / CCC
77021323	E1WBF 80/350NPT		80	NPT 3 1/2"	77.0	84.0	62.2	72.0	3.15	3.15	105/104	25.0	110.0	lose/loose	cCSAus / ATEX / IECEx / EAC / INMETRO / CCC
77021324	E1WBF 80H/300NPT		80H	NPT 3"	79.6	90.0	62.2	72.0	3.15	3.15	105/104	25.0	110.0	lose/loose	cCSAus / ATEX / IECEx / EAC / INMETRO / CCC
77021325	E1WBF 80H/350NPT		80H	NPT 3 1/2"	79.6	90.0	62.2	72.0	3.15	3.15	105/104	25.0	110.0	lose/loose	cCSAus / ATEX / IECEx / EAC / INMETRO / CCC
77021326	E1WBF 85/300NPT		85	NPT 3"	79.6	90.0	69.0	78.0	3.15	3.15	105/104	25.0	110.0	lose/loose	cCSAus / ATEX / IECEx / EAC / INMETRO / CCC
77021327	E1WBF 85/350NPT		85	NPT 3 1/2"	79.6	90.0	69.0	78.0	3.15	3.15	105/104	25.0	110.0	lose/loose	cCSAus / ATEX / IECEx / EAC / INMETRO / CCC
77021328	E1WBF 90/350NPT		90	NPT 3 1/2"	88.0	96.0	74.0	84.0	3.15	3.15	114/114	25.0	110.0	lose/loose	cCSAus / ATEX / IECEx / EAC / INMETRO / CCC
77021329	E1WBF 90/400NPT		90	NPT 4"	88.0	96.0	74.0	84.0	3.15	3.15	114/114	25.0	110.0	lose/loose	cCSAus / ATEX / IECEx / EAC / INMETRO / CCC
77021330	E1WBF 90H/350NPT		90H	NPT 3 1/2"	92.0	102.0	74.0	84.0	3.15	3.15	114/114	25.0	110.0	lose/loose	cCSAus / ATEX / IECEx / EAC / INMETRO / CCC
77021331	E1WBF 90H/400NPT		90H	NPT 4"	92.0	102.0	74.0	84.0	3.15	3.15	114/114	25.0	110.0	lose/loose	cCSAus / ATEX / IECEx / EAC / INMETRO / CCC
77021332	E1WBF 100/350NPT		100	NPT 3 1/2"	92.0	102.0	82.0	90.0	3.15	3.15	114/114	25.0	110.0	lose/loose	cCSAus / ATEX / IECEx / EAC / INMETRO / CCC
77021333	E1WBF 100/400NPT		100	NPT 4"	92.0	102.0	82.0	90.0	3.15	3.15	114/114	25.0	110.0	lose/loose	cCSAus / ATEX / IECEx / EAC / INMETRO / CCC

Weitere Produkte des Herstellers auf Anfrage. / Further products of the manufacturer on request.

Nützlicher Hinweis zu Kabeldurchmesser & Klemmbereich

Useful Information about Cable Diameter & Clamping Range

Um die Abdichtung zwischen Kabel und Kabelverschraubung bestmöglich gewährleisten und die Belastung für beide Bauteile so gering wie möglich halten zu können, empfehlen wir die Kabelverschraubung bzw. den Klemmbereich der Kabelverschraubung so zu wählen, dass sich der Durchmesser des verwendeten Kabels im mittleren bis oberen Klemmbereich befindet.

Um diese Thematik zu verdeutlichen, werden auf den folgenden Bildern die zwei Euro-Top-Kabelverschraubungen 11080520 (6 bis 12 mm) und 11080522 (10 bis 14 mm) dargestellt, in denen jeweils ein Kabel mit einem Durchmesser von 10mm montiert ist.

To ensure the best possible seal between the cable and the cable gland and to be able to keep the stress pressure on both components as low as possible, we recommend selecting the cable gland or the clamping range of the cable gland in such a way that the diameter of the cable used is in the middle to upper clamping range.

In order to explain this topic, the two Euro-Top cable glands 11080520 (6 to 12 mm) and 11080522 (10 to 14 mm) are shown in the following pictures, in each of which a cable with a diameter of 10 mm is mounted.

