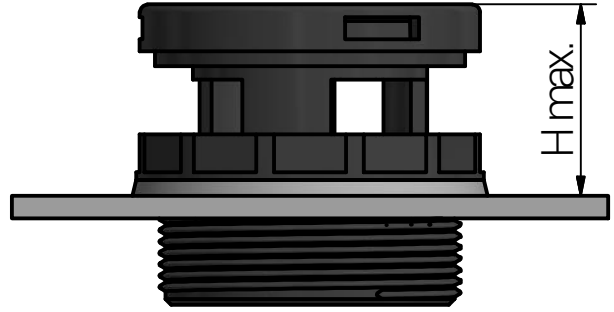
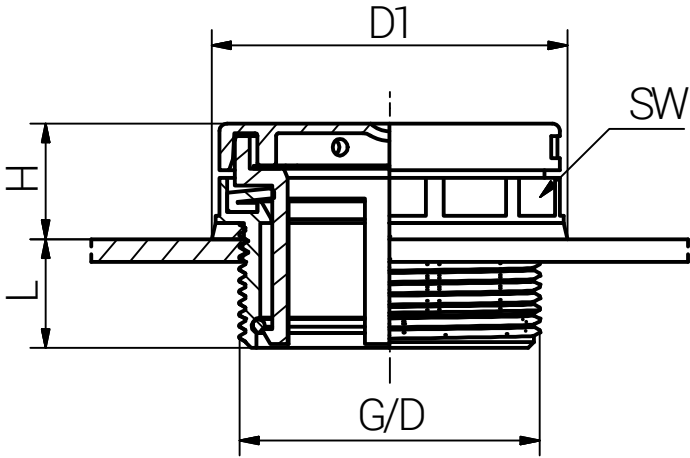
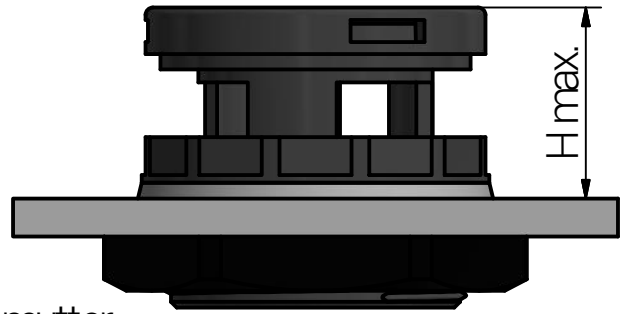
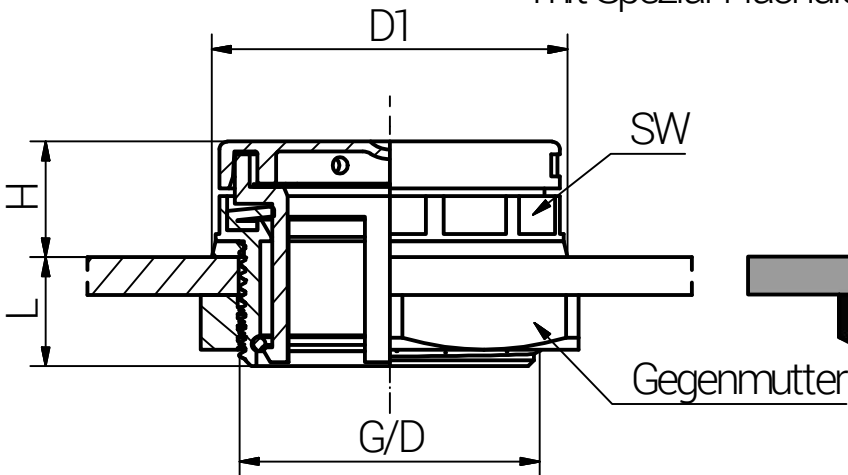


Montageanleitung

Gewindebohrung mit Spezial-Flachdichtung



Durchgangsbohrung mit Spezial-Flachdichtung



| | |
|---------|---|
| Schritt | Montageschritt (Die Installation sollte nur von einem qualifizierten Elektriker durchgeführt werden, der in der Installation von Kabelverschraubungen geschult ist.) |
| 1 | Druckausgleichselement mit dem Anschlussgewinde am Gegenstück (z.B. Elektronikgehäuse) montieren und soweit anziehen, dass die Flachdichtung ihre Funktion erfüllt. Zu festes Anziehen kann zu Beschädigungen führen. |

| Artikel | Membrantyp | Luftdurchlass l/h | Wassereintrichdruck l/h | Berstdruck mbar | Luftdurchlass nach Öffnung l/h | Gewinde G | SW (mm) | L (mm) | H (mm) | H max. (mm) | D1 (mm) | Durchgangsbohrung D (mm) | Anzugsdrehmoment (Nm) ADM |
|------------|------------|-------------------|-------------------------|-----------------|--------------------------------|-----------|---------|--------|--------|-------------|---------|--------------------------|---------------------------|
| M40PLCT150 | PTFE | 400 | > 150 | 150±50 | 540.000 | M40x1,5 | 45 | 15,0 | 13,6 | 28,0 | 47,0 | 40 (0/+0,2) | 5,0 |
| M40PLCT350 | PTFE | 400 | > 150 | 350±100 | 540.000 | M40x1,5 | 45 | 15,0 | 13,6 | 28,0 | 47,0 | 40 (0/+0,2) | 5,0 |



connected by competence

RST Rabe-System-Technik und Vertriebs-GmbH
Otto-Lilienthal-Strasse 19
49134 Wallenhorst
☎ +49 5407 8766-0
☎ +49 5407 8766-99
✉ info@rst.eu

Unless otherwise specified on the drawing:
Metric Thread = EN 60423
PG Thread = DIN 40430
NPT Thread = ANSI B1.20.1
Tolerance: DIN ISO 2768-m
All dimensions in mm

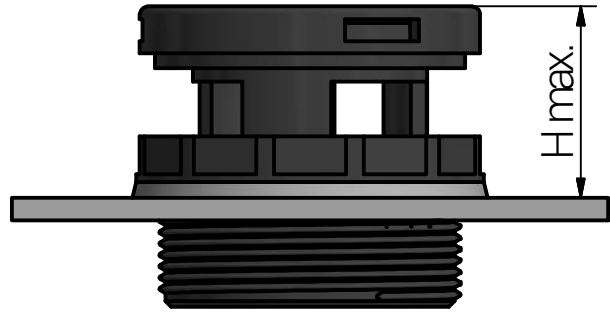
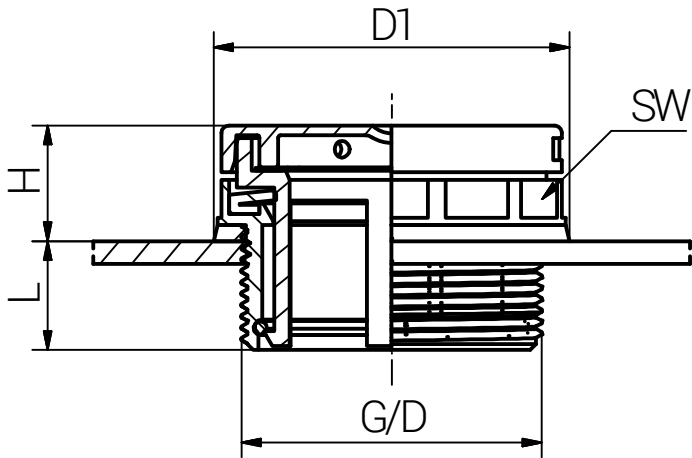
Abusively use, in particular reproduction and dissemination to third parties is not permitted. You can be punished by civil law. Technical changes are reserved.

| | | Date | Name |
|--------|--------------|------------|------|
| | Draw. | 11.05.2021 | SL |
| | Appr. | 11.05.2021 | KH |
| | Norm | | 1:1 |
| | Scale: | | |
| | Material: | Polyamid | |
| A | H max. | 16.06.2022 | SL |
| Status | Modification | Date | Name |

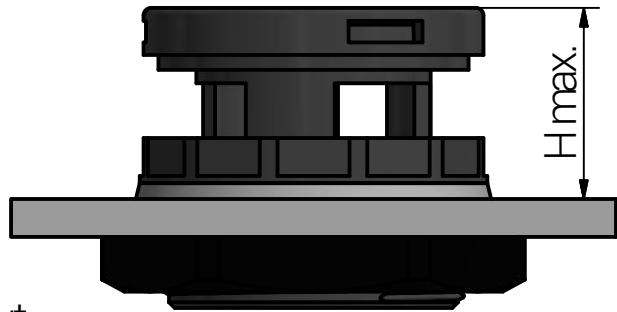
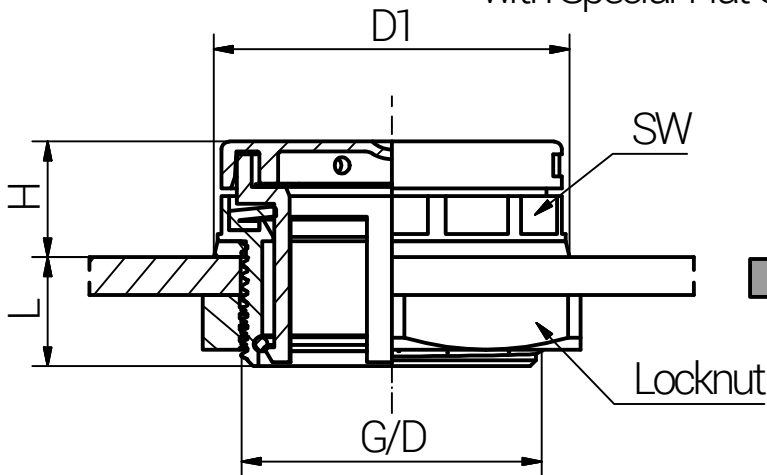
| | | | | | |
|--------------------------|--|--------------|--------------------------|----|------|
| SICHERHEITS-DAE Metrisch | | Drawing-Nr.: | M40PLCTx50_SZM_TD_German | 1 | of 1 |
| | | | | A4 | V18 |

Mounting Instruction

Threaded Enclosure with Special-Flat Sealing Washer



Non Threaded Enclosure with Special-Flat Sealing Washer



| | |
|------|---|
| Step | Assembly Steps (The installation should only be done by a qualified Electricians who are trained in the installation of cable glands.) |
| 1 | Mount the pressue balance element with the connection thread on the counterpart (e.g. electronic enclosure) and tighten until the washer fulfills its function. Over tightening may cause damage. |

| Article | Type of membrane | Air Flow l/h | Water Flow Rate l/h | Burst Pressure mbar | Air Flow after opening l/h | Thread G | SW (mm) | L (mm) | H (mm) | H max. (mm) | D1 (mm) | Non Threaded Enclosure D (mm) | Tightening Torque (Nm) TT |
|------------|------------------|--------------|---------------------|---------------------|----------------------------|----------|---------|--------|--------|-------------|---------|-------------------------------|---------------------------|
| M40PLCT150 | PTFE | 400 | > 150 | 150±50 | 540.000 | M40x1,5 | 45 | 15,0 | 13,6 | 28,0 | 47,0 | 40 (0/+0,2) | 5,0 |
| M40PLCT350 | PTFE | 400 | > 150 | 350±100 | 540.000 | M40x1,5 | 45 | 15,0 | 13,6 | 28,0 | 47,0 | 40 (0/+0,2) | 5,0 |



RST Rabe-System-Technik und Vertriebs-GmbH
Otto-Lilienthal-Strasse 19
49134 Wallenhorst
☎ +49 5407 8766-0
☎ +49 5407 8766-99
✉ info@rst.eu

Unless otherwise specified on the drawing:
Metric Thread = EN 60423
PG Thread = DIN 40430
NPT Thread = ANSI B1.20.1
Tolerance: DIN ISO 2768-m
All dimensions in mm

Abusively use, in particular reproduction and dissemination to third parties is not permitted. You can be punished by civil law. Technical changes are reserved.

| | | Date | Name |
|--------|--------------|------------|------|
| | Draw. | 11.05.2021 | SL |
| | Appr. | 11.05.2021 | KH |
| | Norm | | 1:1 |
| | Scale: | | |
| | Material: | Polyamide | |
| A | Hmax. | 16.06.2022 | SL |
| Status | Modification | Date | Name |

| | |
|-----------------------------|---------------------------|
| <h1>SAFETY PBE Metrish</h1> | |
| Drawing-Nr.: | M40PLCTx50_SZM_TD_English |
| | 1 of 1 |
| | A4 |
| | V7 |