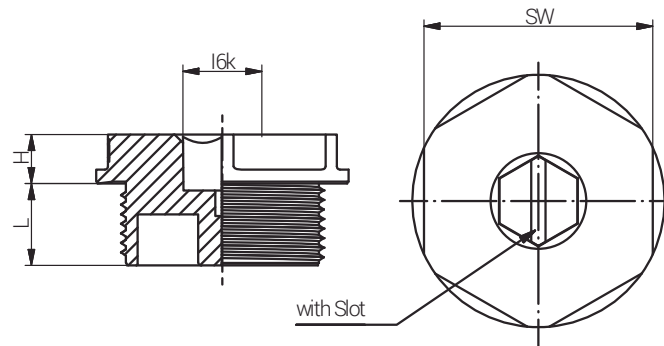


Material Polyamid 66
Einsatztemperatur -30°C bis +90°C
Schutzart IP66 / IP68

Material Polyamide 66
Operating Temperature -30°C to +90°C
Protection Class IP66 / IP68

Für besondere Bedingungen oder Einschränkungen siehe entsprechende Produktdokumentation.

For specific conditions or limitations please see relevant product documentation.



Zubehör

Accessories


Ex-VSS AUSSEN- UND INNENSECHS-
KANT MIT SCHLITZ CPM / M & PG
Ex PLUG HEXAGONAL WITH AL-
LEN SCREW AND SLOT / M & PG

Produktdokumentation
Product Documentation



RST Rabe-System-Technik und Vertriebs-GmbH
Otto-Lilienthal-Strasse 19
49134 Wallenhorst
DEUTSCHLAND

+49 5407 8766-0
+49 5407 8766-99
info@rst.eu
www.rst.eu

| Artikelnummer RST Herstellernummer Article Code RST Manufacturer Code | Hersteller Manufacturer | Gewinde Entry Thread |  | Innensechskant Allen Key (mm) | L (mm) | H (mm) | VPE * PU * | Zulassungen Approvals |
|--|----------------------------|-------------------------|---|-------------------------------------|-----------|-----------|---------------|-----------------------------|
| RAL9005 | | | | | | | | |
| CPM1100E | CAPRI | M16x1.5 | 19 | 6 | 13.20 | 5.9 | lose / loose | ATEX / IECEx / cULus / UKEX |
| CPM1200E | | M20x1.5 | 23 | 8 | 13.20 | 5.9 | lose / loose | ATEX / IECEx / cULus / UKEX |
| CPM1300E | | M25x1.5 | 28 | 10 | 13.20 | 6.9 | lose / loose | ATEX / IECEx / cULus / UKEX |
| CPM1400E | | M32x1.5 | 36 | 12 | 13.10 | 7.4 | lose / loose | ATEX / IECEx / cULus / UKEX |
| CPM1500E | | M40x1.5 | 44 | 12 | 13.10 | 7.4 | lose / loose | ATEX / IECEx / cULus / UKEX |
| CPM1600E | | M50x1.5 | 54 | 12 | 13.30 | 7.9 | lose / loose | ATEX / IECEx / cULus / UKEX |
| CPM1700E | | M63x1.5 | 67 | 14 | 15.00 | 8.4 | lose / loose | ATEX / IECEx / cULus / UKEX |
| | | | | | | | | |
| CPM2100E | CAPRI | PG9 | 19 | 5 | 10.00 | 5.9 | lose / loose | ATEX / IECEx / cULus / UKEX |
| CPM2200E | | PG11 | 22 | 5 | 10.50 | 5.9 | lose / loose | ATEX / IECEx / cULus / UKEX |
| CPM2300E | | PG13,5 | 24 | 8 | 9.20 | 5.9 | lose / loose | ATEX / IECEx / cULus / UKEX |
| CPM2400E | | PG16 | 27 | 10 | 10.20 | 6.9 | lose / loose | ATEX / IECEx / cULus / UKEX |
| CPM2500E | | PG21 | 32 | 12 | 10.70 | 7.4 | lose / loose | ATEX / IECEx / cULus / UKEX |
| CPM2600E | | PG29 | 40 | 12 | 13.10 | 7.4 | lose / loose | ATEX / IECEx / cULus / UKEX |
| CPM2700E | | PG36 | 52 | 12 | 13.20 | 7.9 | lose / loose | ATEX / IECEx / cULus / UKEX |
| CPM2800E | | PG42 | 59 | 12 | 15.00 | 7.9 | lose / loose | ATEX / IECEx / cULus / UKEX |

* Mindestbestellmenge (MOQ) kann größer sein als Verpackungseinheit (VPE). / * *Minimum order quantity (MOQ) can be larger than packaging unit (PU).*