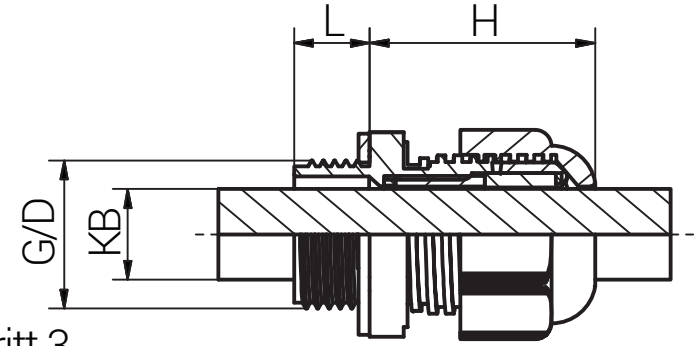
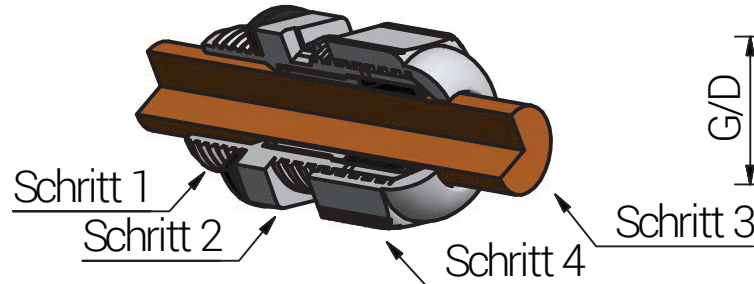
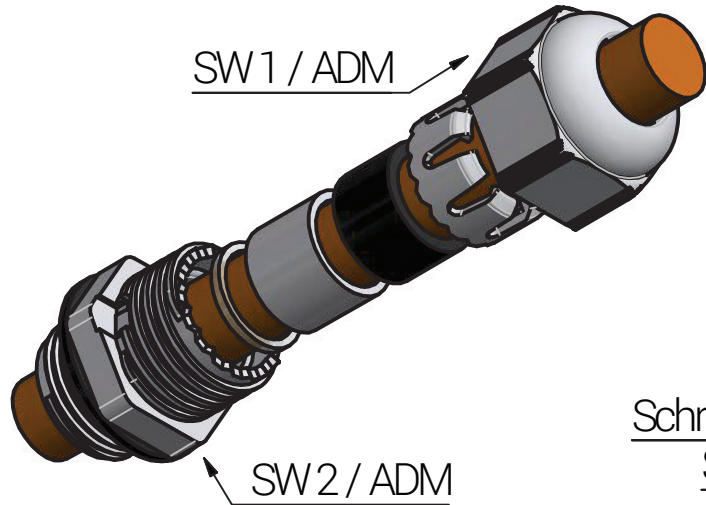


# Montageanleitung



| Schritt                                                                                                 | Montageschritt<br>(Die Installation sollte nur von einem qualifizierten Elektriker durchgeführt werden, der in der Installation von Kabelverschraubungen geschult ist.)   |
|---------------------------------------------------------------------------------------------------------|---------------------------------------------------------------------------------------------------------------------------------------------------------------------------|
| 1                                                                                                       | Druckausgleichsschraubung per Gewinde am Gegenstück (z. B. Elektronikgehäuse) eindrehen.                                                                                  |
| 2                                                                                                       | Stutzen soweit anziehen, dass die Dichtlippe ihre Funktion erfüllt. Als Richtwert gilt der in der Tabelle genannte ADM. Zu festes Anziehen kann zu Beschädigungen führen. |
| 3                                                                                                       | Kabel durch die Druckausgleichsschraubung führen.                                                                                                                         |
| 4                                                                                                       | Hutmutter soweit anziehen, dass die Dichtung ihre Funktion erfüllt. Als Richtwert gilt der in der Tabelle genannte ADM. Zu festes Anziehen kann zu Beschädigungen führen. |
| Durchmesser des Montage Lochs:<br>- Gewindebohrung gemäß EN 60423<br>- Durchgangsbohrung siehe Tabelle. |                                                                                                                                                                           |
| Zugentlastung gemäß EN 62444 : 2013<br>- Kategorie A                                                    |                                                                                                                                                                           |
| IP-Schutzart ist IP 67 (0,1 bar / 30 min.) / IP 66.                                                     |                                                                                                                                                                           |

| Artikel  | Gewinde<br>G | Klemmbereich<br>KB (mm) |      | ØLuft-<br>Durchlass<br>l/h | SW1<br>(mm) | SW2<br>(mm) | L<br>(mm) | H<br>max.<br>(mm) | D<br>(mm) | Durchgangs-<br>bohrung<br>(mm) | Anzugsdreh-<br>moment (Nm)<br>ADM | Kategorie der<br>Schlagein-<br>wirkung |
|----------|--------------|-------------------------|------|----------------------------|-------------|-------------|-----------|-------------------|-----------|--------------------------------|-----------------------------------|----------------------------------------|
|          |              | ≥                       | ≤    |                            |             |             |           |                   |           |                                |                                   |                                        |
| 60087514 | M12x1,5      | 4,0                     | 7,0  | 25                         | 17          | 17          | 8,0       | 30,5              | 12,0      | 12 (0/+0,2)                    | 3,0                               | 5                                      |
| 60087516 | M16x1,5      | 4,0                     | 7,0  | 25                         | 17          | 17          | 8,0       | 27,0              | 16,0      | 16 (0/+0,2)                    | 4,0                               | 5                                      |
| 60087520 | M20x1,5      | 6,0                     | 11,0 | 50                         | 22          | 22          | 8,0       | 29,5              | 20,0      | 20 (0/+0,2)                    | 5,5                               | 5                                      |



**RST Rabe-System-Technik und Vertriebs-GmbH**  
 Otto-Lilienthal-Strasse 19  
 49134 Wallenhorst  
 ☎ +49 5407 8766-0  
 📠 +49 5407 8766-99  
 ✉ info@rst.eu

Unless otherwise specified on the drawing:  
 Metric Thread = EN 60423  
 PG Thread = DIN 40430  
 NPT Thread = ANSI B1.20.1  
 Tolerance: DIN ISO 2768-m  
 All dimensions in mm.

Abusively use, in particular reproduction and dissemination to third parties is not permitted. You can be punished by civil law. Technical changes are reserved.

|        | Date       | Name |
|--------|------------|------|
| Draw.  | 11.07.2018 | SL   |
| Appr.  | 11.07.2018 | KH   |
| Norm   |            |      |
| Scale: |            | 1:1  |

## Druckausgleichs- verschraubung M

Material:  
Messing, vern.

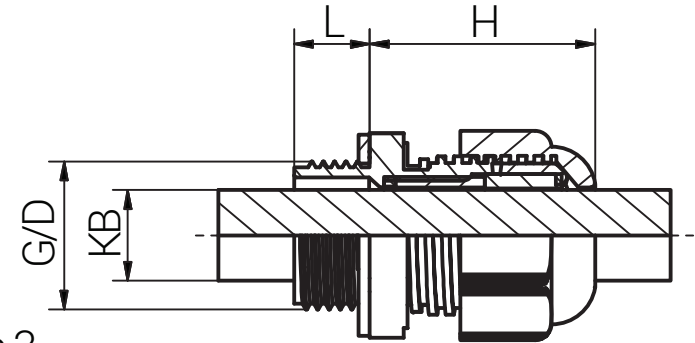
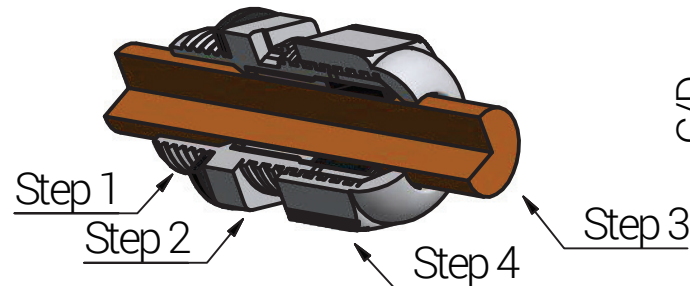
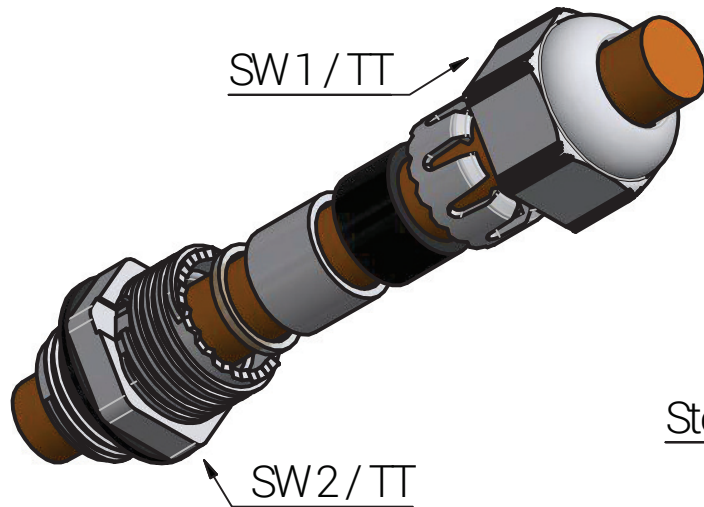
Drawing-Nr.:  
600875xx\_SZM\_TD\_German

1 of 1  
A4

Status Modification Date Name Z:\Inventor\Montageanleitung\Druckausgleichsschraubung\600875xx\_SZM-TD\DA-S-09-1-BG-0001-600875xx\_SZM\_TD\_German.idw

V4

# Mounting Instruction



| Step                                                                                                 | Assembly Steps<br>(The installation should only be done by a qualified Electricians who are trained in the installation of cable glands.)           |
|------------------------------------------------------------------------------------------------------|-----------------------------------------------------------------------------------------------------------------------------------------------------|
| 1                                                                                                    | Pressure Balance Cable gland threaded on the counterpart (e.g. electronics enclosure).                                                              |
| 2                                                                                                    | Tighten the body so far the sealing lip fulfill its function. The guiding value is the TT mentioned in the table. Over tightening may cause damage. |
| 3                                                                                                    | Pass the cable through the cable gland.                                                                                                             |
| 4                                                                                                    | Tighten the cap so far the seal fulfill its function. The guiding value is the TT mentioned in the table. Over tightening may cause damage.         |
| Diameter of the mounting hole:<br>- Threaded hole according to EN 60423<br>- Through hole see table. |                                                                                                                                                     |
| Type of cable anchorage according to EN62444:2013<br>- Balance = Category A                          |                                                                                                                                                     |
| Degree of protection: IP 67 (0,1 bar / 30 min.) / IP 66.                                             |                                                                                                                                                     |

| Article  | Thread<br>G | Clamping Range<br>KB (mm) |      | Ø Air Flow<br>l/h | SW1<br>(mm) | SW2<br>(mm) | L<br>(mm) | H<br>max.<br>(mm) | D<br>(mm) | Non threaded<br>Enclosure<br>(mm) | Tightening<br>Torque (Nm)<br>TT | Impact<br>Category |
|----------|-------------|---------------------------|------|-------------------|-------------|-------------|-----------|-------------------|-----------|-----------------------------------|---------------------------------|--------------------|
|          |             | ≥                         | ≤    |                   |             |             |           |                   |           |                                   |                                 |                    |
| 60087514 | M12x1,5     | 4,0                       | 7,0  | 25                | 17          | 17          | 8,0       | 30,5              | 12,0      | 12 (0/+0,2)                       | 3,0                             | 5                  |
| 60087516 | M16x1,5     | 4,0                       | 7,0  | 25                | 17          | 17          | 8,0       | 27,0              | 16,0      | 16 (0/+0,2)                       | 4,0                             | 5                  |
| 60087520 | M20x1,5     | 6,0                       | 11,0 | 50                | 22          | 22          | 8,0       | 29,5              | 20,0      | 20 (0/+0,2)                       | 5,5                             | 5                  |



**RST Rabe-System-Technik und Vertriebs-GmbH**  
 Otto-Lilienthal-Strasse 19  
 49134 Wallenhorst  
 ☎ +49 5407 8766-0  
 📠 +49 5407 8766-99  
 ✉ info@rst.eu

Unless otherwise specified on the drawing:  
 Metric Thread = EN 60423  
 PG Thread = DIN 40430  
 NPT Thread = ANSI B1.20.1  
 Tolerance: DIN ISO 2768-m  
 All dimensions in mm.

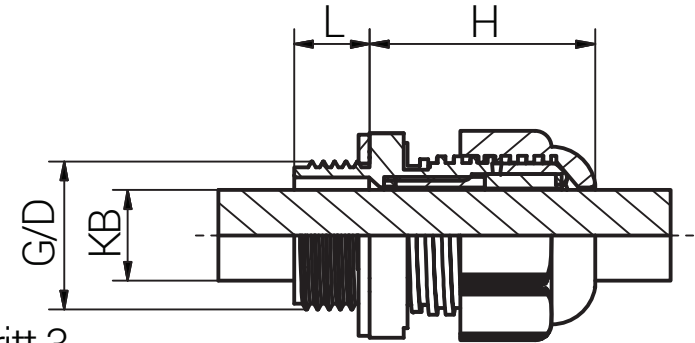
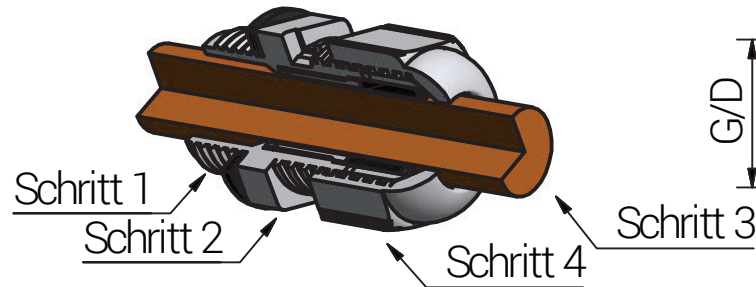
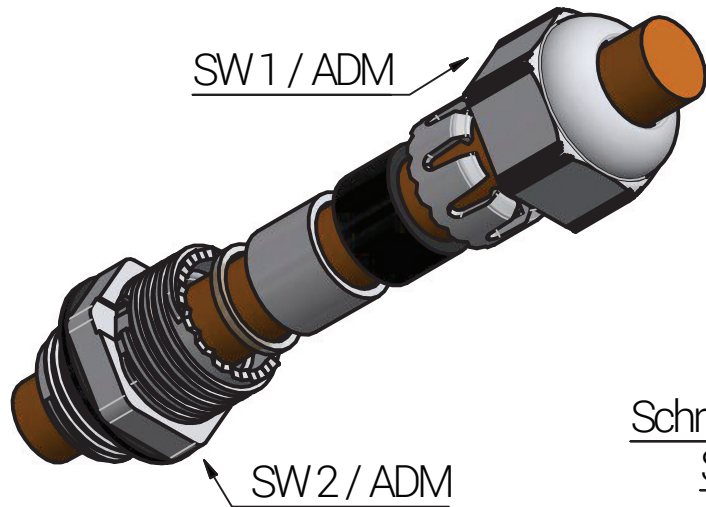
Abusively use, in particular reproduction and dissemination to third parties is not permitted. You can be punished by civil law. Technical changes are reserved.

|           |                     | Date | Name |
|-----------|---------------------|------|------|
| Draw.     | 17.07.2018          | SL   |      |
| Appr.     | 17.07.2018          | KH   |      |
| Norm      |                     |      |      |
| Scale:    |                     |      | 1:1  |
| Material: | Nickel Plated Brass |      |      |
| Status    | Modification        | Date | Name |

|                                         |                                 |
|-----------------------------------------|---------------------------------|
| <h2>Pressure Balance Cable Gland M</h2> |                                 |
| Drawing-Nr.:                            | <b>600875xx_SZM_TD_Englisch</b> |
| 1                                       | of 1                            |
| A4                                      |                                 |
| V2                                      |                                 |

Please note that the above representation is just a dimension illustration.

# Montageanleitung



| Schritt                                                                                                 | Montageschritt<br>(Die Installation sollte nur von einem qualifizierten Elektriker durchgeführt werden, der in der Installation von Kabelverschraubungen geschult ist.)   |
|---------------------------------------------------------------------------------------------------------|---------------------------------------------------------------------------------------------------------------------------------------------------------------------------|
| 1                                                                                                       | Druckausgleichverschraubung per Gewinde am Gegenstück (z. B. Elektronikgehäuse) eindrehen.                                                                                |
| 2                                                                                                       | Stutzen soweit anziehen, dass die Dichtlippe ihre Funktion erfüllt. Als Richtwert gilt der in der Tabelle genannte ADM. Zu festes Anziehen kann zu Beschädigungen führen. |
| 3                                                                                                       | Kabel durch die Druckausgleichverschraubung führen.                                                                                                                       |
| 4                                                                                                       | Hutmutter soweit anziehen, dass die Dichtung ihre Funktion erfüllt. Als Richtwert gilt der in der Tabelle genannte ADM. Zu festes Anziehen kann zu Beschädigungen führen. |
| Durchmesser des Montagelochs:<br>- Gewindebohrung gemäß DIN 40430<br>- Durchgangsbohrung siehe Tabelle. |                                                                                                                                                                           |
| Zugentlastung gemäß EN 62444: 2013 *<br>- Kategorie A                                                   |                                                                                                                                                                           |
| IP-Schutzart ist IP 67 (0,1 bar / 30 min.) / IP 66.                                                     |                                                                                                                                                                           |
| * Von metrischen Größen übernommen.                                                                     |                                                                                                                                                                           |

| Artikel  | Gewinde<br>G | Klemmbereich<br>KB (mm) |      | ØLuft-<br>Durchlass<br>l/h | SW1<br>(mm) | SW2<br>(mm) | L<br>(mm) | H<br>max.<br>(mm) | D<br>(mm) | Durchgangs-<br>bohrung<br>(mm) | Anzugsdreh-<br>moment (Nm)<br>ADM | Kategorie der<br>Schlagein-<br>wirkung* |
|----------|--------------|-------------------------|------|----------------------------|-------------|-------------|-----------|-------------------|-----------|--------------------------------|-----------------------------------|-----------------------------------------|
|          |              | ≥                       | ≤    |                            |             |             |           |                   |           |                                |                                   |                                         |
| 13087407 | PG7          | 4,0                     | 7,0  | 25                         | 17          | 17          | 8,0       | 30,5              | 12,4      | 12,7                           | 3,0                               | 5                                       |
| 13087409 | PG9          | 4,0                     | 7,0  | 25                         | 17          | 17          | 8,0       | 27,0              | 15,2      | 15,4                           | 4,0                               | 5                                       |
| 13087411 | PG11         | 5,0                     | 9,0  | 35                         | 20          | 20          | 8,0       | 33,5              | 18,6      | 18,8                           | 5,0                               | 5                                       |
| 13087413 | PG13,5       | 6,0                     | 11,0 | 50                         | 22          | 22          | 9,0       | 29,5              | 20,4      | 20,7                           | 5,5                               | 5                                       |



**RST Rabe-System-Technik und Vertriebs-GmbH**  
 Otto-Lilienthal-Strasse 19  
 49134 Wallenhorst  
 ☎ +49 5407 8766-0  
 ☎ +49 5407 8766-99  
 ✉ info@rst.eu

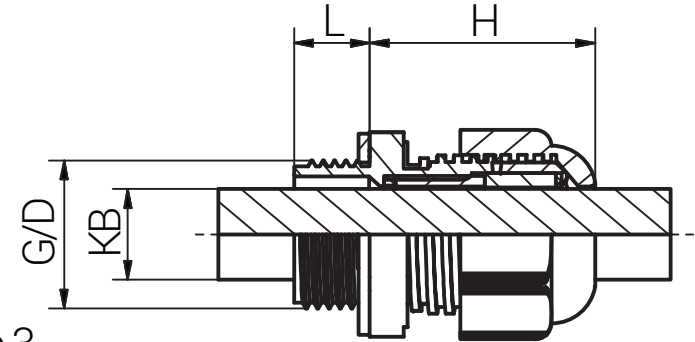
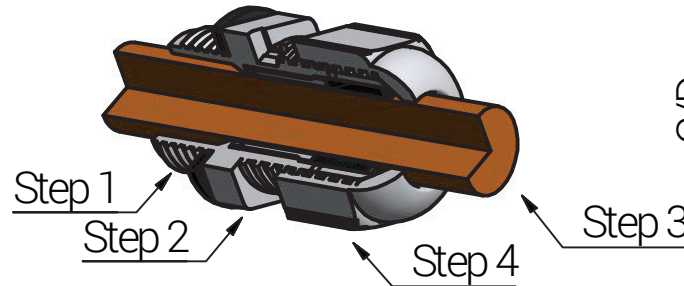
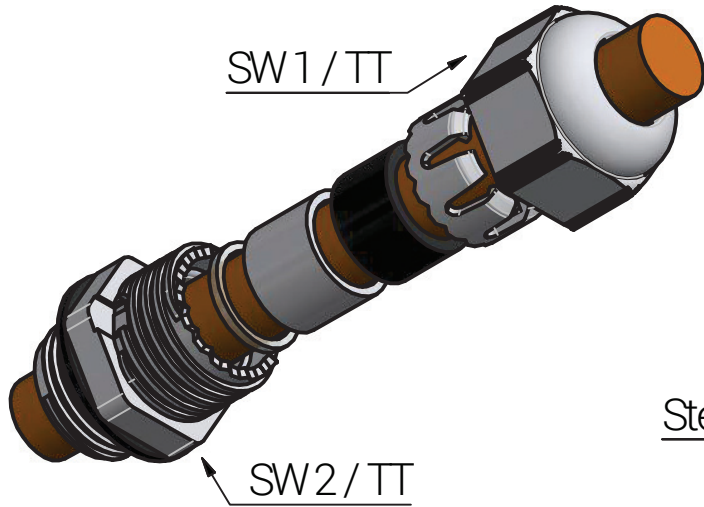
Unless otherwise specified on the drawing:  
 Metric Thread = EN 60423  
 PG Thread = DIN 40430  
 NPT Thread = ANSI B1.20.1  
 Tolerance: DIN ISO 2768-m  
 All dimensions in mm.

Abusively use, in particular reproduction and dissemination to third parties is not permitted. You can be punished by civil law. Technical changes are reserved.

| Date      |              | Name           |      |
|-----------|--------------|----------------|------|
| Draw.     | 11.07.2018   | SL             |      |
| Appr.     | 11.07.2018   | KH             |      |
| Norm      |              |                |      |
| Scale:    |              |                | 1:1  |
| Material: |              | Messing, vern. |      |
| Status    | Modification | Date           | Name |

|                                                |                         |
|------------------------------------------------|-------------------------|
| <h2>Druckausgleichs-<br/>verschraubung PG</h2> |                         |
| Drawing-Nr.:                                   | 600874xx_SZPG_TD_German |
| 1                                              | of 1                    |
| A4                                             |                         |
| V5                                             |                         |

# Mounting Instruction



| Step                                                                                                  | Assembly Steps<br>(The installation should only be done by a qualified Electricians who are trained in the installation of cable glands.)           |
|-------------------------------------------------------------------------------------------------------|-----------------------------------------------------------------------------------------------------------------------------------------------------|
| 1                                                                                                     | Pressure Balance Cable gland threaded on the counterpart (e.g. electronics enclosure).                                                              |
| 2                                                                                                     | Tighten the body so far the sealing lip fulfill its function. The guiding value is the TT mentioned in the table. Over tightening may cause damage. |
| 3                                                                                                     | Pass the cable through the cable gland.                                                                                                             |
| 4                                                                                                     | Tighten the cap so far the seal fulfill its function. The guiding value is the TT mentioned in the table. Over tightening may cause damage.         |
| Diameter of the mounting hole:<br>- Threaded hole according to DIN 40430<br>- Through hole see table. |                                                                                                                                                     |
| Type of cable anchorage according to EN62444:2013*<br>- Balance = Category A                          |                                                                                                                                                     |
| Degree of protection: IP 67 (0,1 bar / 30 min.) / IP 66.                                              |                                                                                                                                                     |
| * Adopted by metric sizes.                                                                            |                                                                                                                                                     |

| Article  | Thread<br>G | Clamping Range<br>KB (mm) |      | Ø Air Flow<br>l/h | SW1<br>(mm) | SW2<br>(mm) | L<br>(mm) | H<br>max.<br>(mm) | D<br>(mm) | Non Threaded<br>Enclosure<br>(mm) | Tightening<br>Torque (Nm)<br>TT | Impact<br>Category |
|----------|-------------|---------------------------|------|-------------------|-------------|-------------|-----------|-------------------|-----------|-----------------------------------|---------------------------------|--------------------|
|          |             | ≥                         | ≤    |                   |             |             |           |                   |           |                                   |                                 |                    |
| 13087407 | PG7         | 4,0                       | 7,0  | 25                | 17          | 17          | 8,0       | 30,5              | 12,4      | 12,7                              | 3,0                             | 5                  |
| 13087409 | PG9         | 4,0                       | 7,0  | 25                | 17          | 17          | 8,0       | 27,0              | 15,2      | 15,4                              | 4,0                             | 5                  |
| 13087411 | PG11        | 5,0                       | 9,0  | 35                | 20          | 20          | 8,0       | 33,5              | 18,6      | 18,8                              | 5,0                             | 5                  |
| 13087413 | PG13,5      | 6,0                       | 11,0 | 50                | 22          | 22          | 9,0       | 29,5              | 20,4      | 20,7                              | 5,5                             | 5                  |



**RST Rabe-System-Technik und Vertriebs-GmbH**  
 Otto-Lilienthal-Strasse 19  
 49134 Wallenhorst  
 ☎ +49 5407 8766-0  
 ☎ +49 5407 8766-99  
 ✉ info@rst.eu

Unless otherwise specified on the drawing:  
 Metric Thread = EN 60423  
 PG Thread = DIN 40430  
 NPT Thread = ANSI B1.20.1  
 Tolerance: DIN ISO 2768-m  
 All dimensions in mm.

Abusively use, in particular reproduction and dissemination to third parties is not permitted. You can be punished by civil law. Technical changes are reserved.

| Date      |                     | Name |      |
|-----------|---------------------|------|------|
| Draw.     | 17.07.2018          | SL   |      |
| Appr.     | 17.07.2018          | KH   |      |
| Norm      |                     |      |      |
| Scale:    |                     |      | 1:1  |
| Material: | Nickel Plated Brass |      |      |
| Status    | Modification        | Date | Name |

|                                            |                                  |
|--------------------------------------------|----------------------------------|
| <b>Pressure Balance<br/>Cable Gland PG</b> |                                  |
| Drawing-Nr.:                               | <b>600874xx_SZPG_TD_Englisch</b> |
| 1                                          | of 1                             |
| A4                                         |                                  |
| V2                                         |                                  |

Please note that the above representation is just a dimension illustration.