

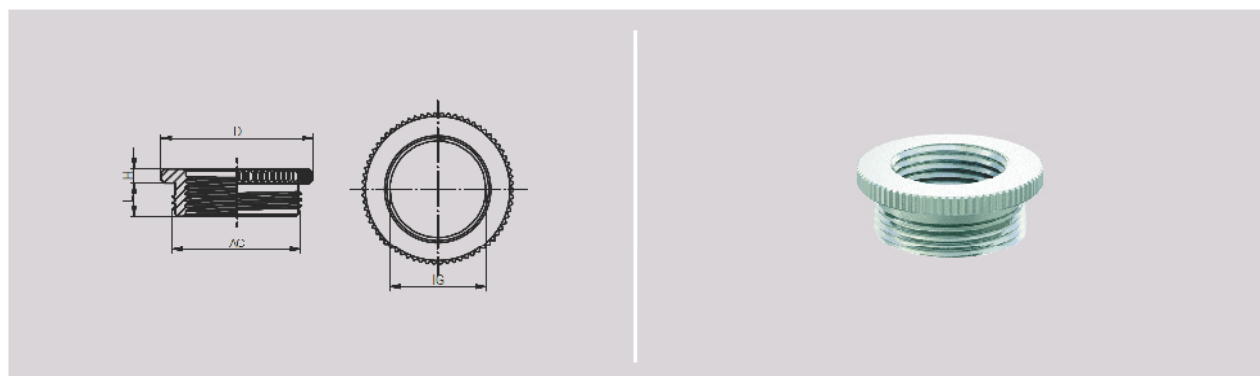
## REDUZIERUNG GERÄNDELT / M x M / REDUCER KNURLED / M x M

Material	Messing, vernickelt	Material	Nickel Plated Brass
Schutzart	Abhängig von der Kombination mit weiteren Komponenten.	Protection Class	Depending on the combination with further components.
Hinweis	Adapter, um Gewindeeingänge an Gehäusen und Maschinen zu verkleinern.	Note	Adapter to reduce entry threads on enclosures and machines.




## Zulassungen / Approvals



Artikel Article	Gewinde Entry Thread		D (mm)	l (mm)	H (mm)	VIT® IPU
	AG / Male	IG / Female				
62081612	M16x1.5	M12x1.5	20.0	6.0	2.0	100
62082012	M20x1.5	M12x1.5	24.0	6.0	2.5	100
62082016	M20x1.5	M16x1.5	24.0	6.5	2.5	100
62082516	M25x1.5	M16x1.5	30.0	7.0	3.0	50
62082520	M25x1.5	M20x1.5	30.0	7.0	3.0	50
62083220	M32x1.5	M20x1.5	37.0	8.0	3.5	50
62083225	M32x1.5	M25x1.5	37.0	8.0	3.5	50
62084025	M40x1.5	M25x1.5	43.0	8.0	3.5	25
62084032	M40x1.5	M32x1.5	43.0	8.0	3.5	25
62085032	M50x1.5	M32x1.5	56.0	10.0	4.0	10
62085040	M50x1.5	M40x1.5	56.0	10.0	4.0	10
62086340	M63x1.5	M40x1.5	66.0	10.0	4.0	10
62086350	M63x1.5	M50x1.5	66.0	10.0	4.0	10



REDUZIERUNG GERÄNDELT / PG x PG / REDUCER KNURLED / PG x PG

	<b>Material</b>	Messing, vernickelt	<b>Material</b>	Nickel Plated Brass
	<b>Schutzart</b>	Abhängig von der Kombination mit weiteren Komponenten.	<b>Protection Class</b>	Depending on the combination with further components.
	<b>Hinweis</b>	Adapter, um Gewindeeingänge an Gehäusen und Maschinen zu verkleinern.	<b>Note</b>	Adapter to reduce entry threads on enclosures and machines.

Zulassungen / Approvals



Artikel Article	Gewinde Entry Thread		D (mm)	l (mm)	H (mm)	VPE PU
	AG / Male	IG / Female				
62060907	PG 9	PG 7	17.0	6.0	2.5	100
62061107	PG 11	PG 7	20.0	6.0	2.5	100
62061109	PG 11	PG 9	20.0	6.0	2.5	100
62061307	PG 13.5	PG 7	22.0	6.5	2.5	100
62061309	PG 13.5	PG 9	22.0	6.5	2.5	100
62061311	PG 13.5	PG 11	22.0	6.5	2.5	100
62061607	PG 16	PG 7	24.0	6.5	3.0	100
62061609	PG 16	PG 9	24.0	6.5	3.0	100
62061611	PG 16	PG 11	24.0	6.5	3.0	100
62061613	PG 16	PG 13.5	24.0	6.5	3.0	100
62062111	PG 21	PG 11	30.0	7.0	3.0	50
62062113	PG 21	PG 13.5	30.0	7.0	3.0	50
62062116	PG 21	PG 16	30.0	7.0	3.0	50
62062916	PG 29	PG 16	39.0	8.0	3.5	50
62062921	PG 29	PG 21	39.0	8.0	3.5	50
62063621	PG 36	PG 21	50.0	9.0	3.5	25
62063629	PG 36	PG 29	50.0	9.0	3.5	25
62064229	PG 42	PG 29	57.0	10.0	4.0	10
62064236	PG 42	PG 36	57.0	10.0	4.0	10
62064836	PG 48	PG 36	64.0	10.0	4.0	10
62064842	PG 48	PG 42	64.0	10.0	4.0	10

